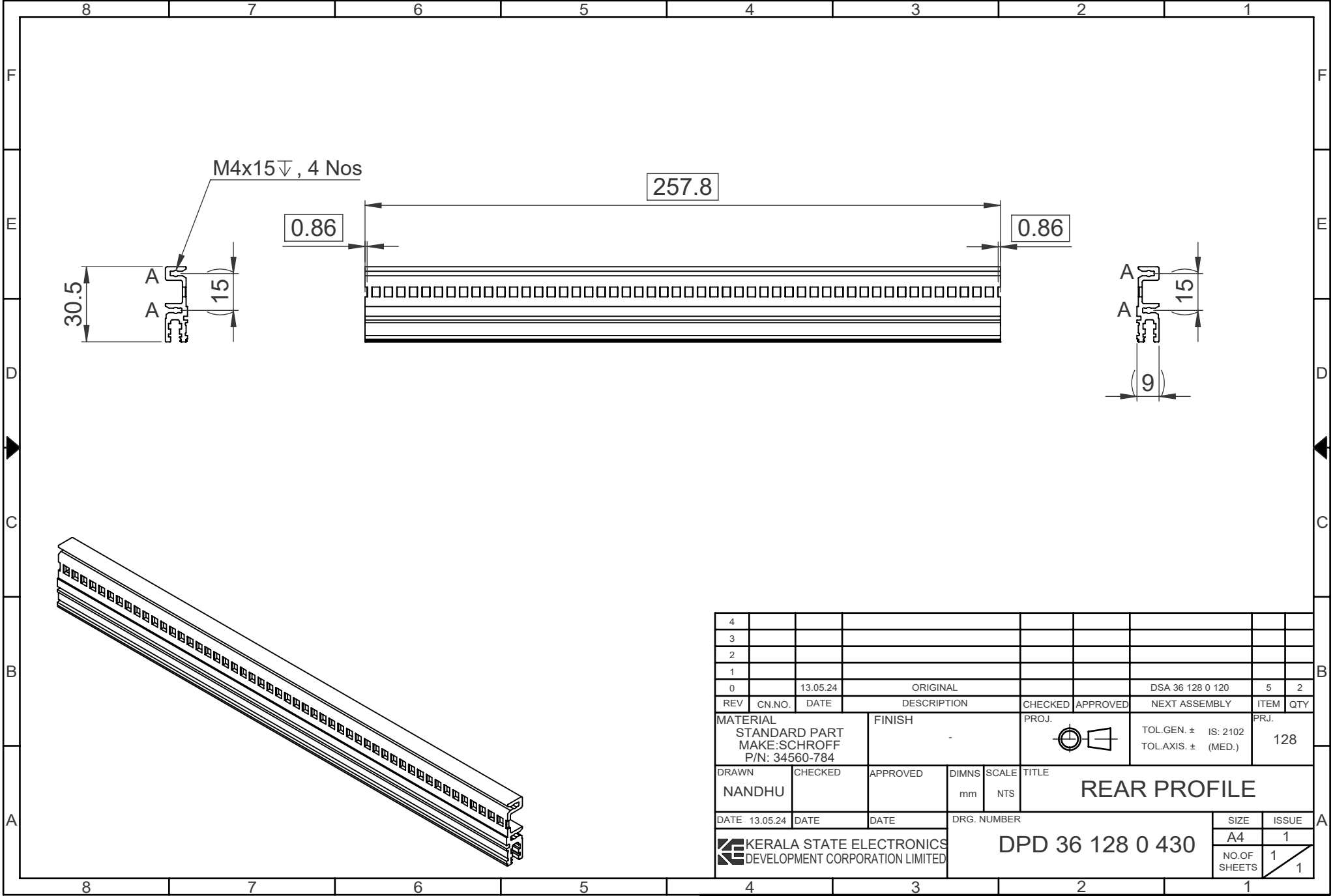
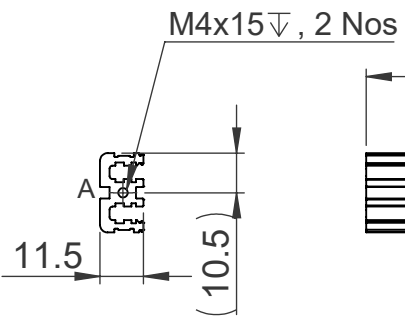
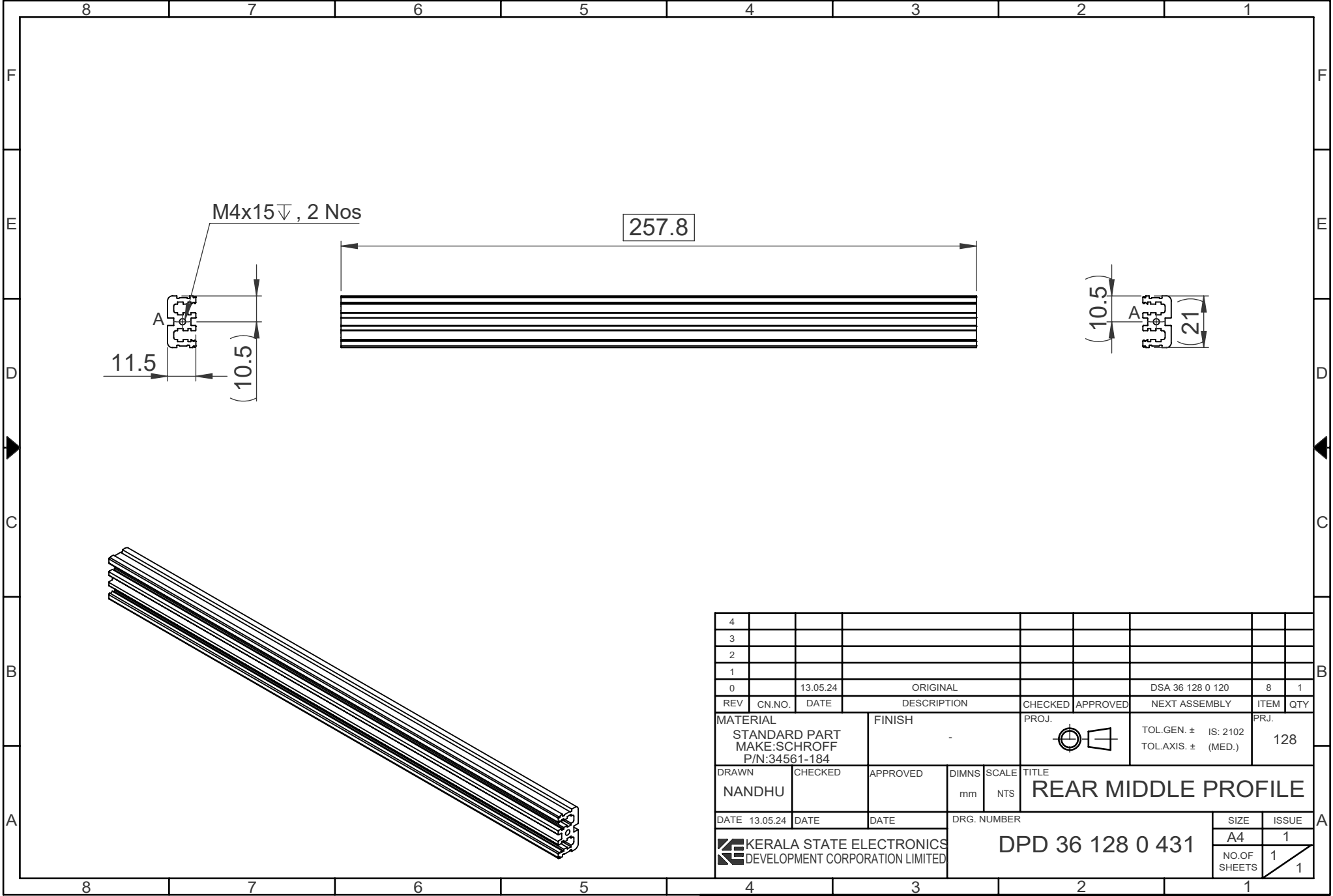


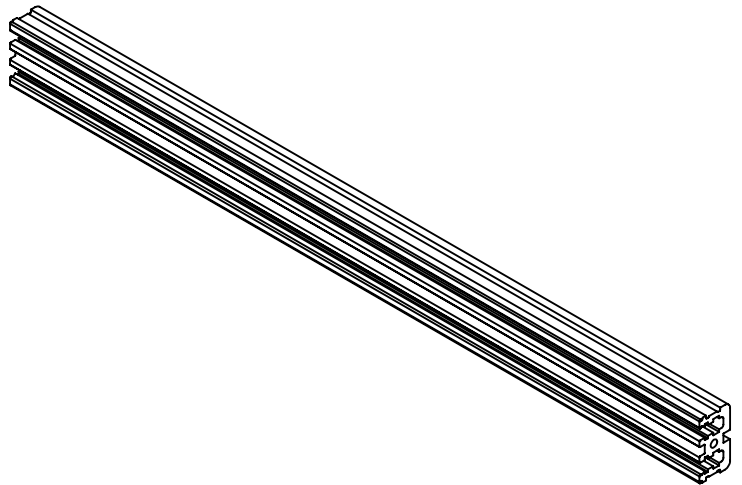
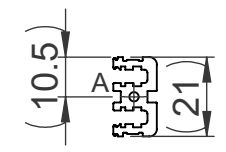
4											
3											
2											
1											
0		13.05.24		ORIGINAL				DSA 36 128 0 120	2	4	
REV	CN.NO.	DATE	DESCRIPTION			CHECKED	APPROVED	NEXT ASSEMBLY	ITEM	QTY	
MATERIAL			FINISH			PROJ.		TOL.GEN. ± IS: 2102		PRJ.	
STANDARD PART			-					TOL.AXIS. ± (MED.)		128	
MAKE: SCHROFF											
P/N: 34560-384											
DRAWN	CHECKED	APPROVED	DIMNS	SCALE	TITLE						
NANDHU			mm	NTS	FRONT PROFILE						
DATE	13.05.24	DATE	DATE	DRG. NUMBER				SIZE	ISSUE		
				DPD 36 128 0 428				A4	1		
							NO.OF SHEETS		1		
							1		1		



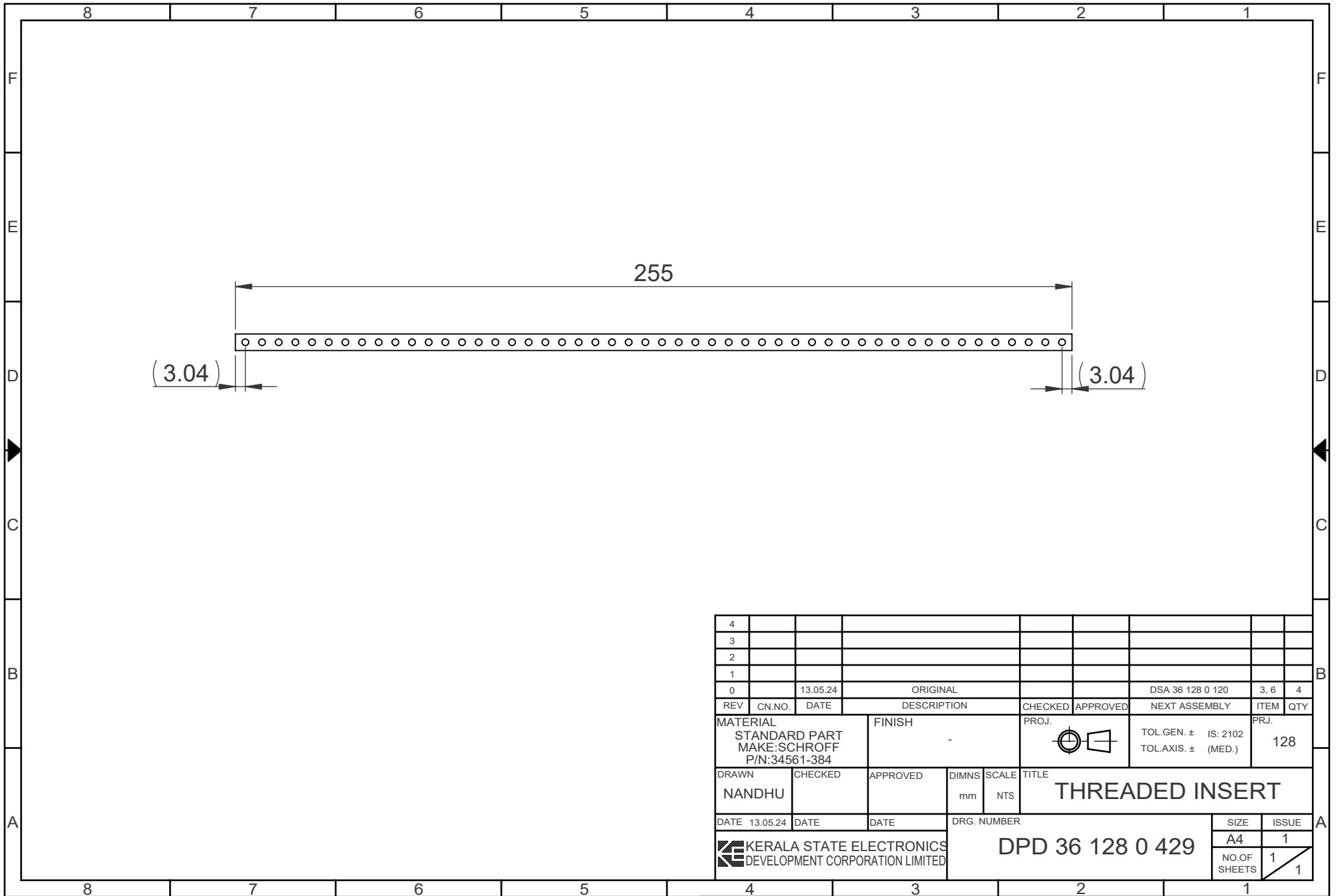
4											
3											
2											
1											
0		13.05.24		ORIGINAL				DSA 36 128 0 120	5	2	
REV	CN.NO.	DATE	DESCRIPTION				CHECKED	APPROVED	NEXT ASSEMBLY	ITEM	QTY
MATERIAL			FINISH			PROJ.		TOL.GEN. ± IS: 2102		PR.J.	
STANDARD PART			-					TOL.AXIS. ± (MED.)		128	
MAKE: SCHROFF											
P/N: 34560-784											
DRAWN	CHECKED	APPROVED	DIMNS	SCALE	TITLE						
NANDHU			mm	NTS	REAR PROFILE						
DATE	13.05.24	DATE	DATE	DRG. NUMBER				SIZE	ISSUE		
				DPD 36 128 0 430				A4	1		
KERALA STATE ELECTRONICS DEVELOPMENT CORPORATION LIMITED									NO.OF SHEETS	1	
										1	



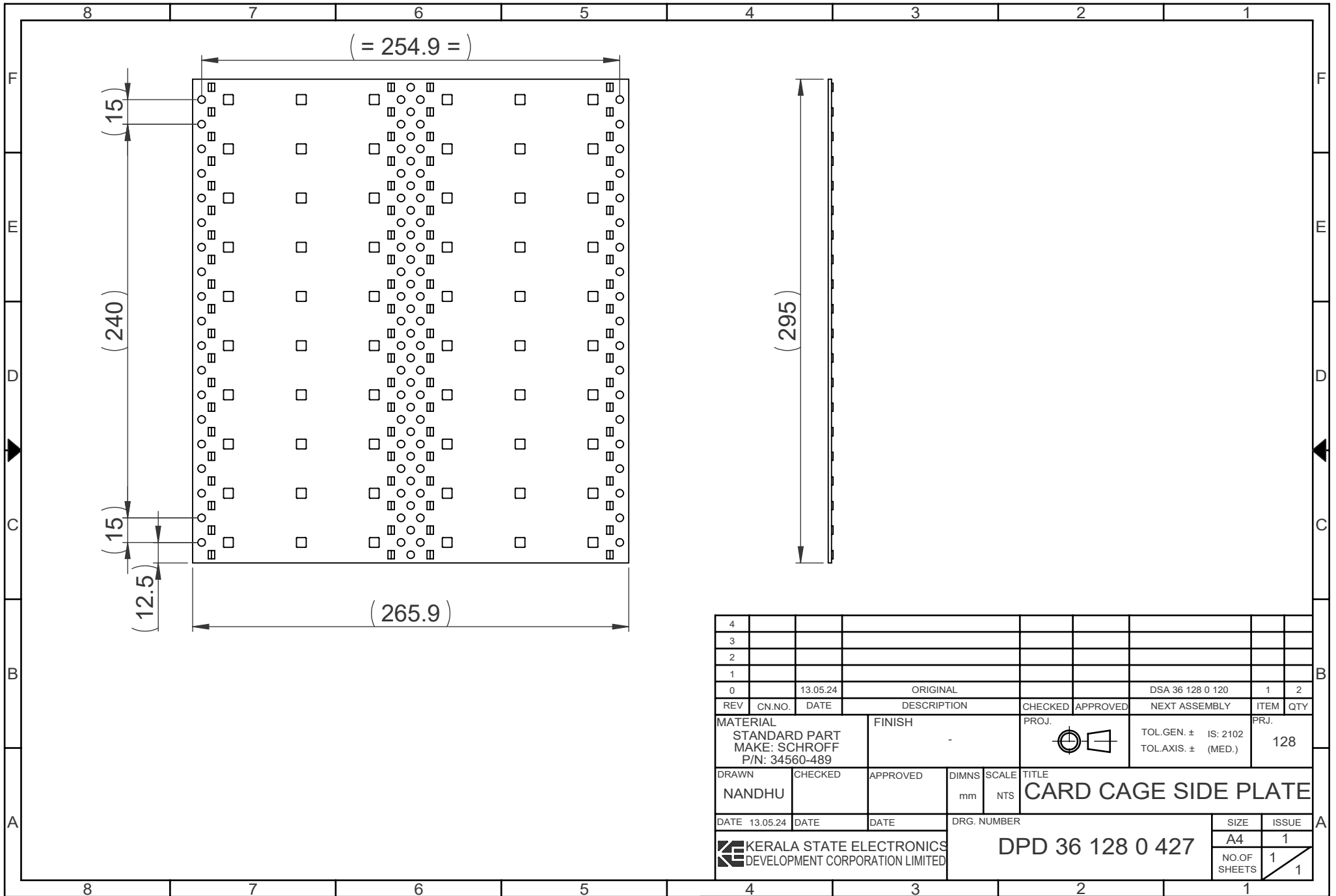
257.8



4										
3										
2										
1										
0		13.05.24		ORIGINAL				DSA 36 128 0 120	8	1
REV	CN.NO.	DATE	DESCRIPTION			CHECKED	APPROVED	NEXT ASSEMBLY	ITEM	QTY
MATERIAL			FINISH			PROJ.		PRJ.		
STANDARD PART			-					TOL.GEN. \pm IS: 2102		
MAKE: SCHROFF								TOL.AXIS. \pm (MED.)		
P/N: 34561-184								128		
DRAWN		CHECKED		APPROVED		DIMNS	SCALE	TITLE		
NANDHU						mm	NTS	REAR MIDDLE PROFILE		
DATE	13.05.24	DATE		DATE		DRG. NUMBER			SIZE	ISSUE
						DPD 36 128 0 431			A4	1
									NO.OF SHEETS	1
										1



4										
3										
2										
1										
0		13.05.24		ORIGINAL				DSA 36 128 0 120	3, 6	4
REV	CN.NO.	DATE	DESCRIPTION			CHECKED	APPROVED	NEXT ASSEMBLY	ITEM	QTY
MATERIAL			FINISH			PROJ.		PRJ.		
STANDARD PART			-					TOL.GEN. ± IS: 2102		
MAKE: SCHROFF								TOL.AXIS ± (MED.)		
P/N: 34561-384								128		
DRAWN	CHECKED	APPROVED	DIMNS	SCALE	TITLE					
NANDHU			mm	NTS	THREADED INSERT					
DATE	13.05.24	DATE	DATE	DRG. NUMBER				SIZE	ISSUE	
				DPD 36 128 0 429				A4	1	
							NO.OF SHEETS		1	
							1		1	



4													
3													
2													
1													
0		13.05.24		ORIGINAL				DSA 36 128 0 120	1	2			
REV	CN.NO.	DATE	DESCRIPTION		CHECKED	APPROVED	NEXT ASSEMBLY	ITEM	QTY				
MATERIAL STANDARD PART MAKE: SCHROFF P/N: 34560-489				FINISH -		PROJ. 		TOL.GEN. ± IS: 2102 TOL.AXIS. ± (MED.)		PRJ. 128			
DRAWN NANDHU		CHECKED		APPROVED		DIMNS mm		SCALE NTS		TITLE CARD CAGE SIDE PLATE			
DATE 13.05.24		DATE		DATE		DRG. NUMBER DPD 36 128 0 427				SIZE A4		ISSUE 1	
Kerala State Electronics Development Corporation Limited										NO.OF SHEETS 1		1	