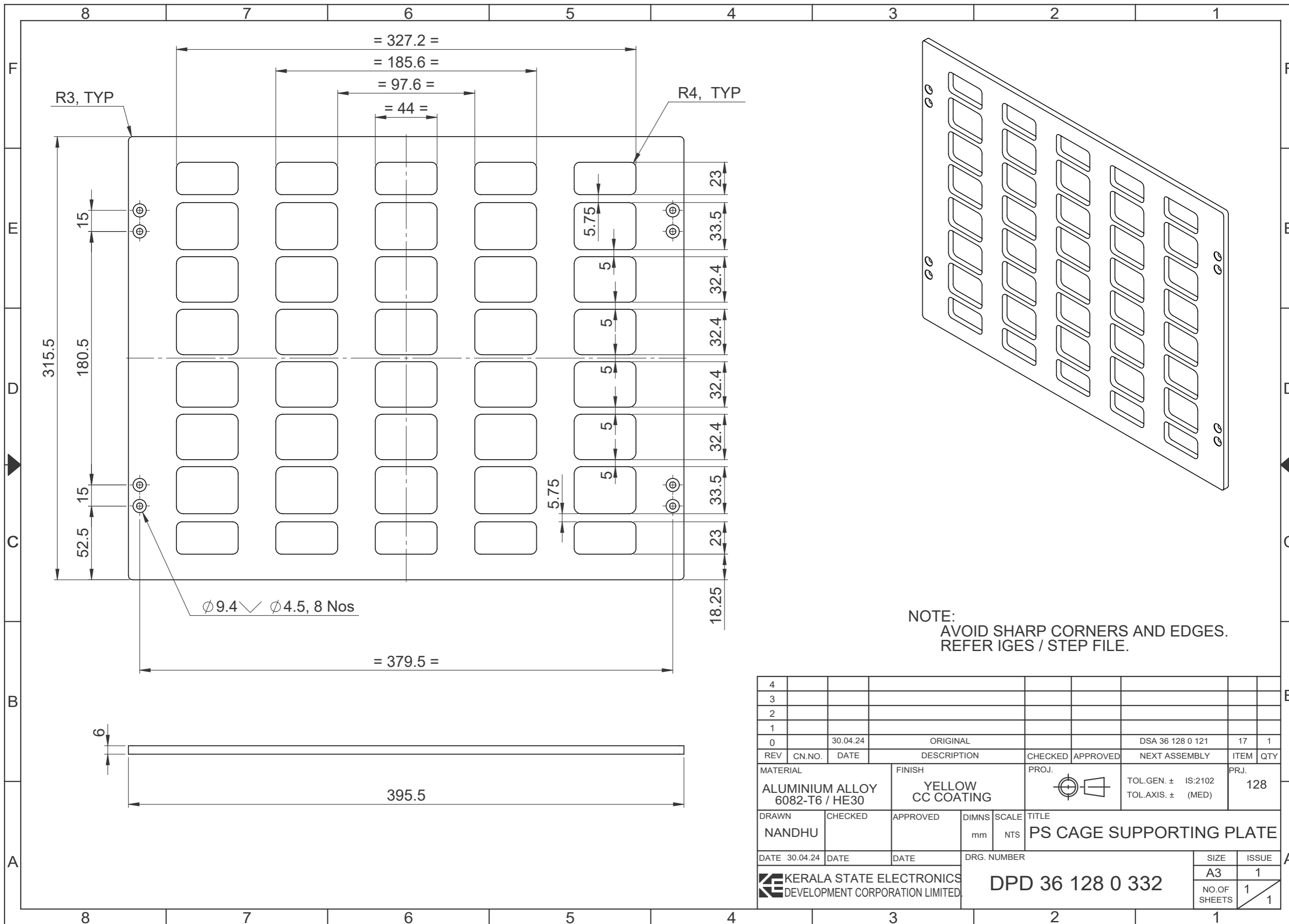


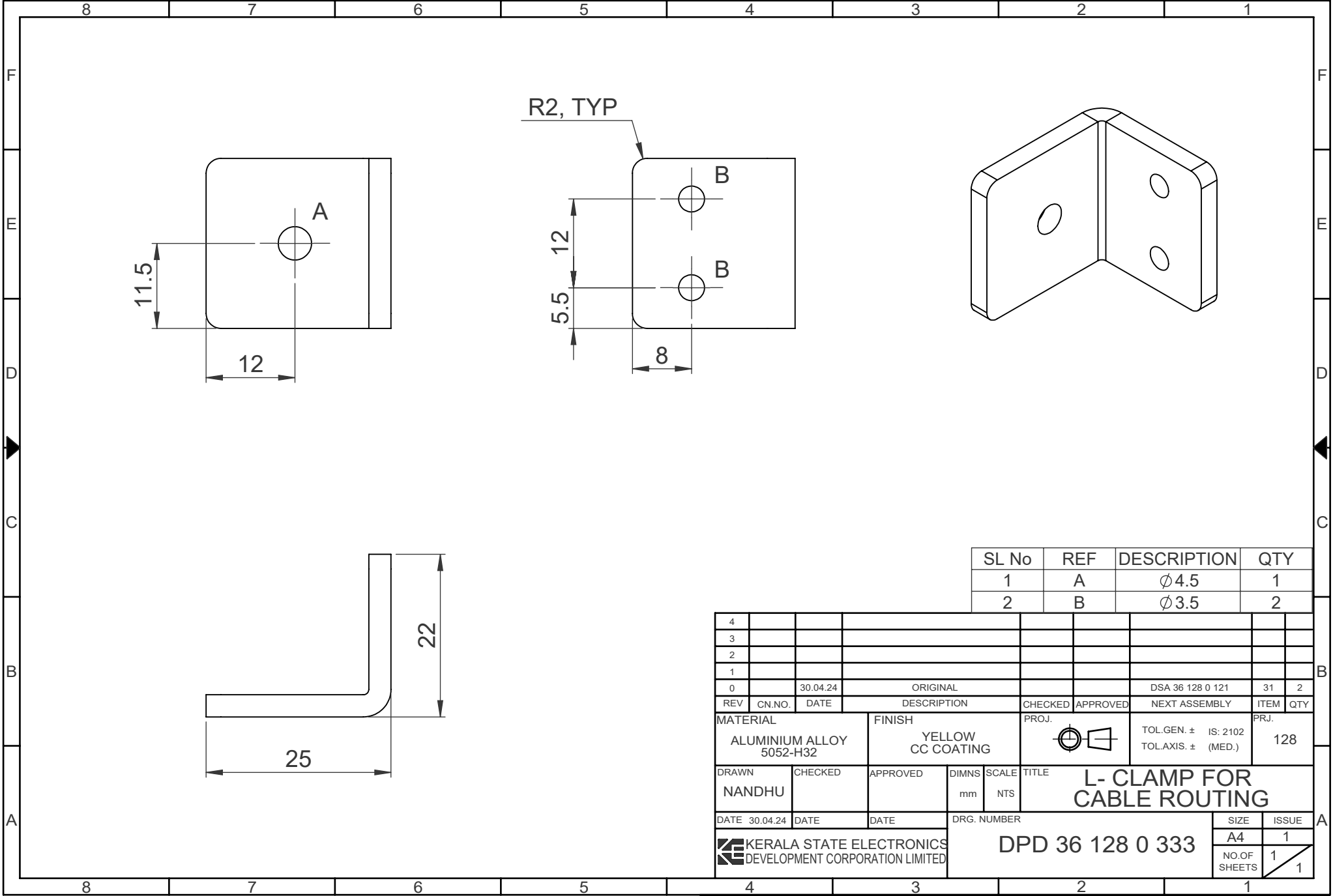
SL No	REF	DESCRIPTION	QTY
1	A	Ø4.5	4
2	B	Ø6.2	2

4									
3									
2									
1									
0		30.04.24	ORIGINAL			DSA 36 128 0 121	12	2	
REV	CN.NO.	DATE	DESCRIPTION	CHECKED	APPROVED	NEXT ASSEMBLY	ITEM	QTY	PRJ.
MATERIAL			FINISH	PROJ.		TOL.GEN. ± IS: 2102		128	
SS 316			1.6/			TOL.AXIS. ± (MED.)			
DRAWN	CHECKED	APPROVED	DIMNS	SCALE	TITLE				
NANDHU			mm	NTS	L-ANGLE SUPPORT PS CAGE				
DATE	DATE	DATE	DRG. NUMBER			SIZE	ISSUE		
30.04.24			DPD 36 128 0 330			A4	1		
						NO.OF SHEETS		1	
								1	



NOTE:
AVOID SHARP CORNERS AND EDGES.
REFER IGES / STEP FILE.

4									
3									
2									
1									
0		30.04.24		ORIGINAL				DSA 36 128 0 121	17 1
REV	CN.NO.	DATE	DESCRIPTION		CHECKED	APPROVED	NEXT ASSEMBLY	ITEM	QTY
MATERIAL			FINISH		PROJ.		TOL.GEN. ± IS:2102		PRJ.
ALUMINIUM ALLOY 6082-T6 / HE30			YELLOW CC COATING				TOL.AXIS. ± (MED)		128
DRAWN	CHECKED	APPROVED	DIMNS	SCALE	TITLE				
NANDHU			mm	NTS	PS CAGE SUPPORTING PLATE				
DATE	30.04.24	DATE	DATE	DRG. NUMBER		SIZE		ISSUE	
KERALA STATE ELECTRONICS DEVELOPMENT CORPORATION LIMITED.				DPD 36 128 0 332		A3		1	
							NO.OF SHEETS		1
									1



SL No	REF	DESCRIPTION	QTY
1	A	Ø4.5	1
2	B	Ø3.5	2

4									
3									
2									
1									
0		30.04.24	ORIGINAL			DSA 36 128 0 121	31	2	
REV	CN.NO.	DATE	DESCRIPTION	CHECKED	APPROVED	NEXT ASSEMBLY	ITEM	QTY	PRJ.
MATERIAL			FINISH		PROJ.	TOL.GEN. ± IS: 2102		PRJ.	
ALUMINIUM ALLOY 5052-H32			YELLOW CC COATING			TOL.AXIS. ± (MED.)		128	
DRAWN		CHECKED	APPROVED	DIMNS	SCALE	TITLE			
NANDHU				mm	NTS	L- CLAMP FOR CABLE ROUTING			
DATE	30.04.24	DATE	DATE	DRG. NUMBER		SIZE		ISSUE	
KERALA STATE ELECTRONICS DEVELOPMENT CORPORATION LIMITED						DPD 36 128 0 333		A4	1
								NO.OF SHEETS	1
									1

4

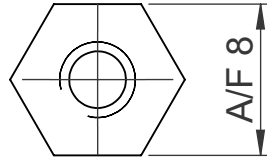
3

2

1

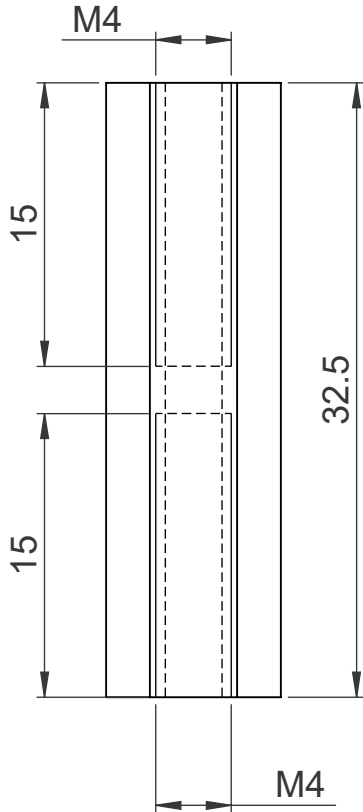
F

F



E

E



D

D

C

C

B

B

4								
3								
2								
1								
0		30.04.24	ORIGINAL			DSA 36 128 0 121	36	2
REV	CN.NO.	DATE	DESCRIPTION	CHECKED	APPROVED	NEXT ASSEMBLY	ITEM	QTY

MATERIAL SS 316		FINISH 1.6		PROJ. 		TOL.GEN. ± IS:2102 TOL.AXIS. ± (MED)		PRJ. 128
---------------------------	--	---------------	--	-----------	--	---	--	--------------------

DRAWN NANDHU	CHECKED	APPROVED	DIMNS mm	SCALE NTS	TITLE SPACER FOR CABLE ROUTING			
------------------------	---------	----------	-------------	--------------	--	--	--	--

A

A

DATE 30.04.24	DATE	DATE	DRG. NUMBER DPD 36 128 0 334				SIZE A4	ISSUE 1
KERALA STATE ELECTRONICS DEVELOPMENT CORPORATION LIMITED							NO.OF SHEETS 1	1

4

3

2

1

4

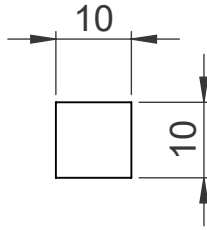
3

2

1

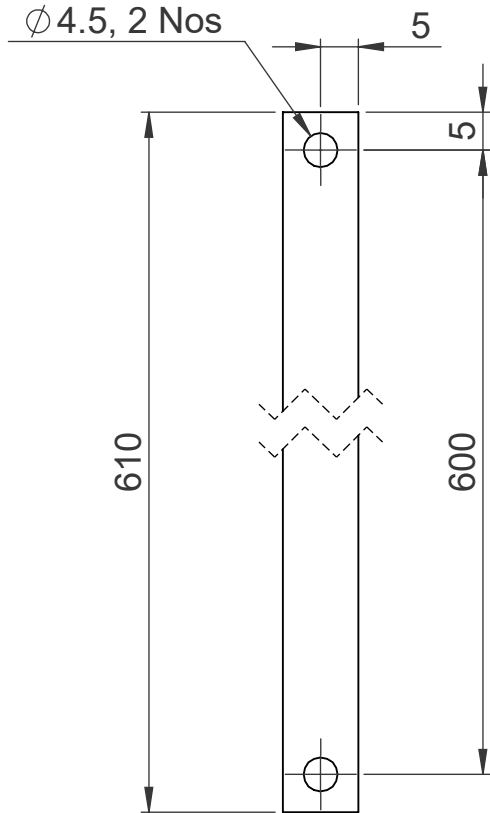
F

F



E

E



D

D

C

C

B

B

4								
3								
2								
1								
0		30.04.24	ORIGINAL			DSA 36 128 0 121	44	1
REV	CN.NO.	DATE	DESCRIPTION	CHECKED	APPROVED	NEXT ASSEMBLY	ITEM	QTY

MATERIAL ALUMINIUM ALLOY 6082-T6 / HE30		FINISH YELLOW CC COATING		PROJ. 	TOL.GEN. ± IS:2102 TOL.AXIS. ± (MED)	PRJ. 128
---	--	--	--	-----------	---	--------------------

DRAWN NANDHU	CHECKED	APPROVED	DIMNS mm	SCALE NTS	TITLE TIE ROD-1
------------------------	---------	----------	-------------	--------------	---------------------------

A

A

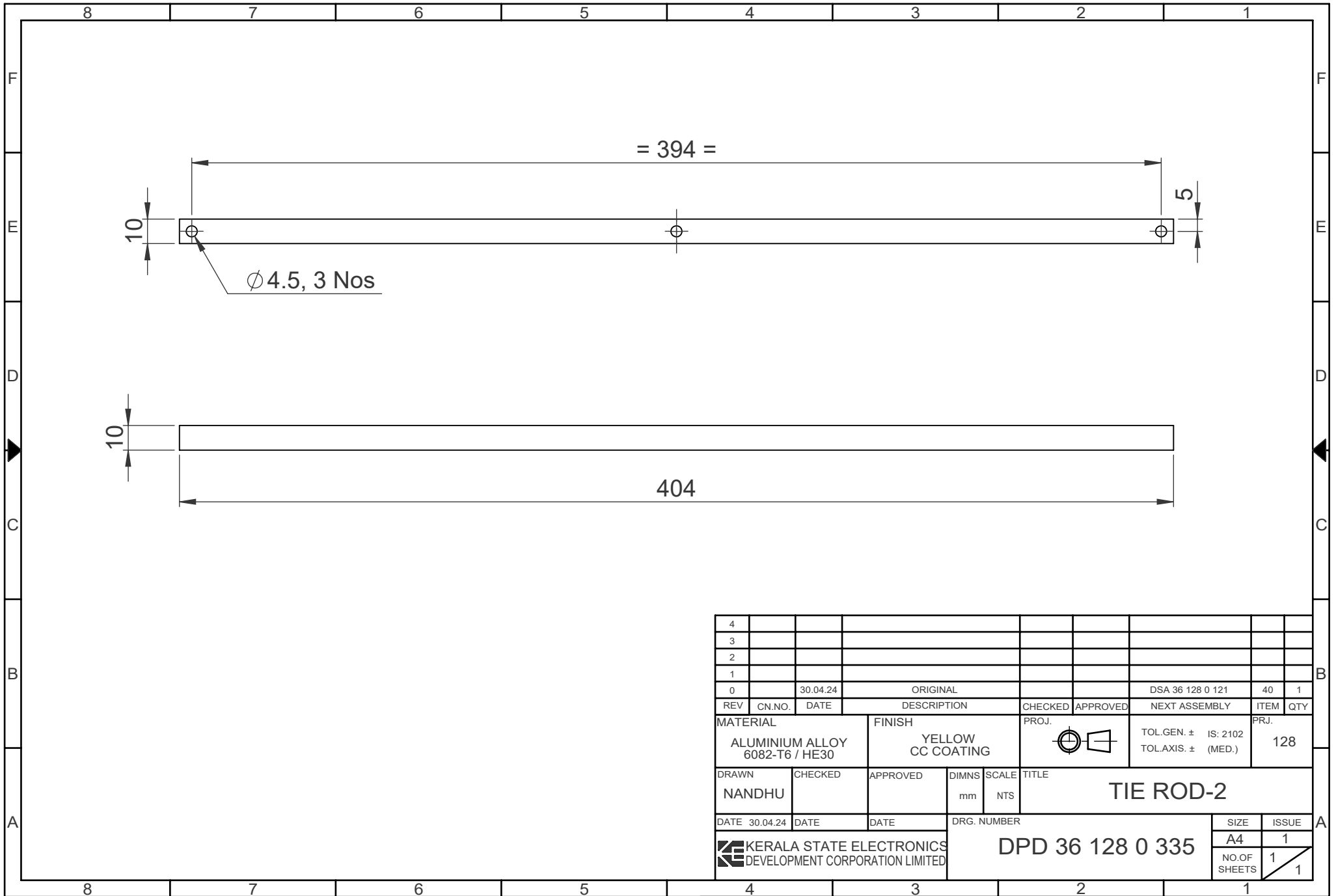
DATE 30.04.24	DATE	DATE	DRG. NUMBER DPD 36 128 0 336	SIZE A4	ISSUE 1
KERALA STATE ELECTRONICS DEVELOPMENT CORPORATION LIMITED				NO.OF SHEETS 1	1

4

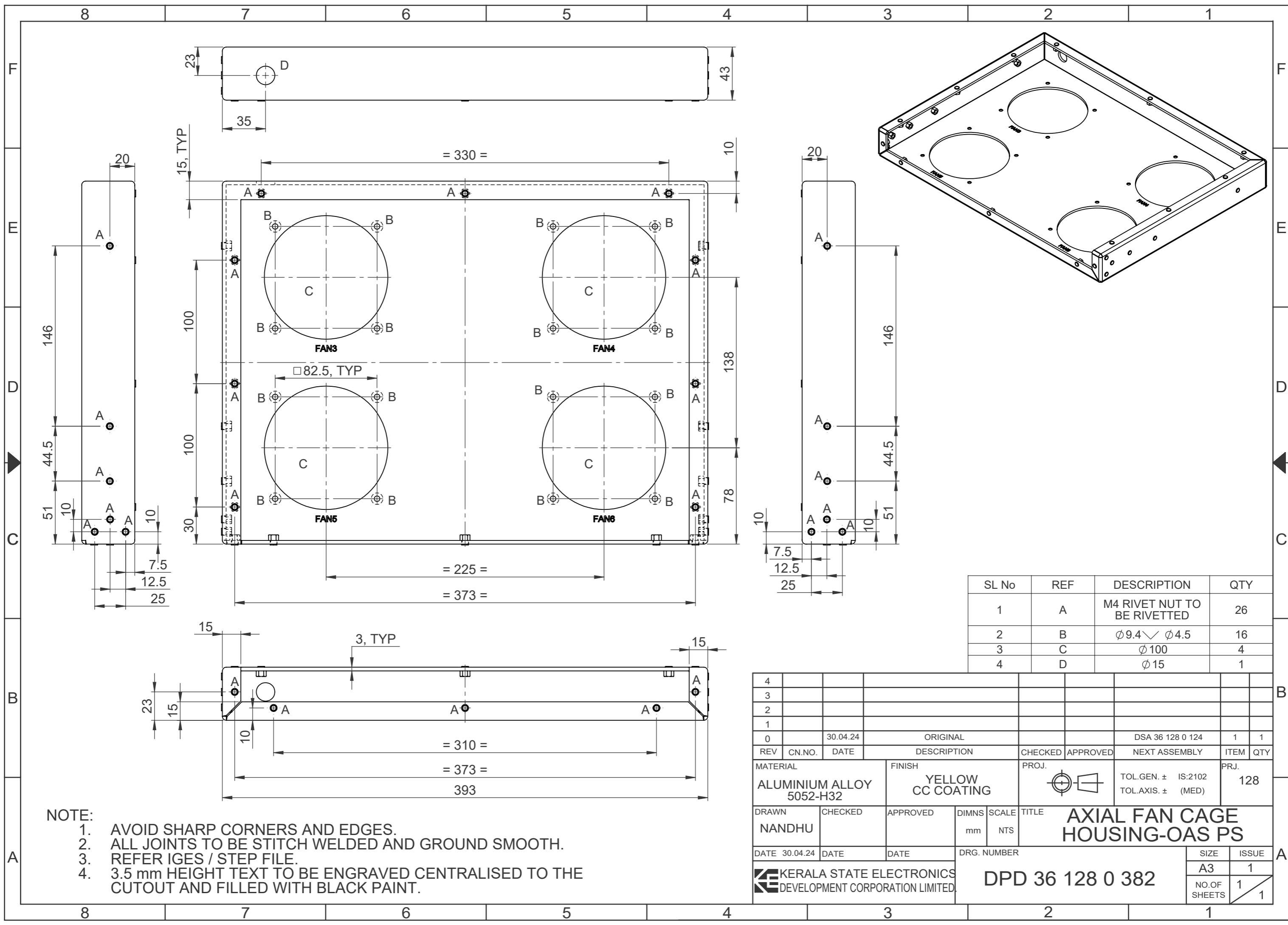
3

2

1



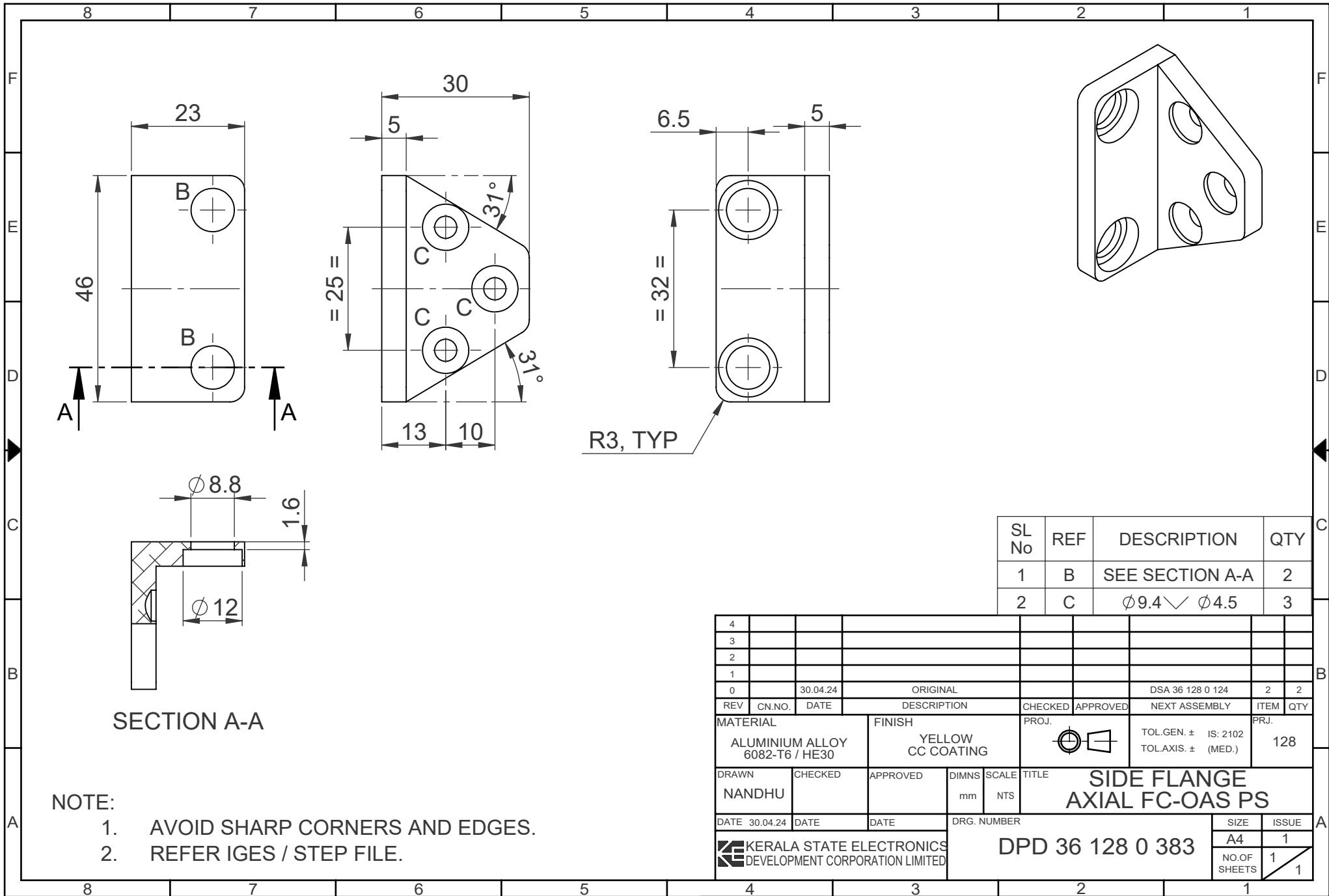
4										
3										
2										
1										
0		30.04.24		ORIGINAL				DSA 36 128 0 121	40	1
REV	CN.NO.	DATE	DESCRIPTION			CHECKED	APPROVED	NEXT ASSEMBLY	ITEM	QTY
MATERIAL			FINISH			PROJ.		TOL.GEN. ± IS: 2102		PRJ.
ALUMINIUM ALLOY 6082-T6 / HE30			YELLOW CC COATING					TOL.AXIS ± (MED.)		128
DRAWN		CHECKED		APPROVED		DIMNS	SCALE	TITLE		
NANDHU						mm	NTS	TIE ROD-2		
DATE	30.04.24	DATE		DATE		DRG. NUMBER			SIZE	ISSUE
						DPD 36 128 0 335			A4	1
									NO.OF SHEETS	1
										1



SL No	REF	DESCRIPTION	QTY
1	A	M4 RIVET NUT TO BE RIVETTED	26
2	B	$\phi 9.4 \sqrt{\phi 4.5}$	16
3	C	$\phi 100$	4
4	D	$\phi 15$	1

4										
3										
2										
1										
0		30.04.24	ORIGINAL					DSA 36 128 0 124	1	1
REV	CN.NO.	DATE	DESCRIPTION	CHECKED	APPROVED	NEXT ASSEMBLY	ITEM	QTY		
MATERIAL			ALUMINIUM ALLOY 5052-H32	FINISH		YELLOW CC COATING	PROJ.		128	
DRAWN			NANDHU	APPROVED			TITLE		AXIAL FAN CAGE HOUSING-OAS PS	
DATE			30.04.24	DATE			DRG. NUMBER		DPD 36 128 0 382	
Kerala State Electronics Development Corporation Limited.							SIZE		A3	
							ISSUE		1	
							NO.OF SHEETS		1	

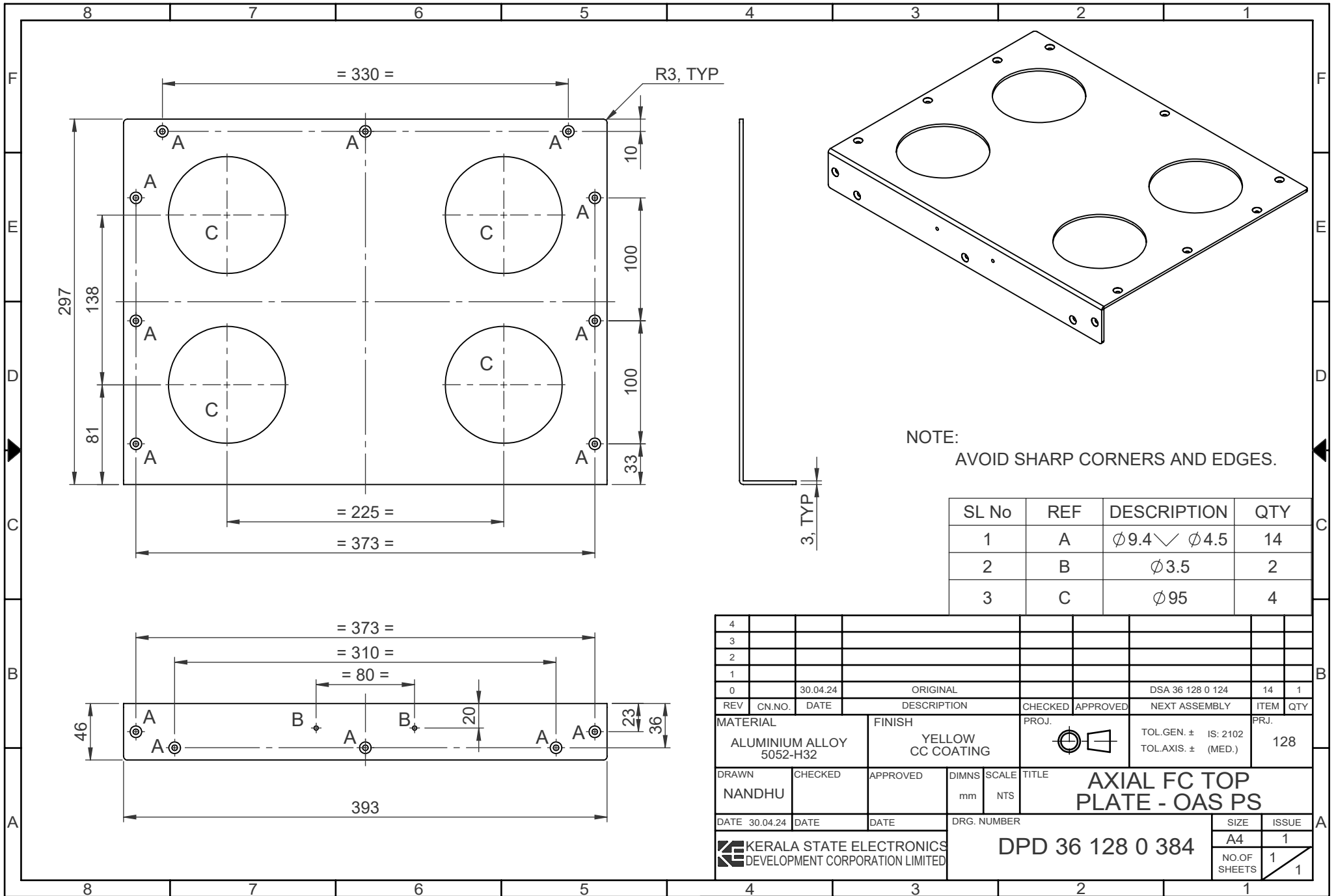
NOTE:
 1. AVOID SHARP CORNERS AND EDGES.
 2. ALL JOINTS TO BE STITCH WELDED AND GROUND SMOOTH.
 3. REFER IGES / STEP FILE.
 4. 3.5 mm HEIGHT TEXT TO BE ENGRAVED CENTRALISED TO THE CUTOUT AND FILLED WITH BLACK PAINT.



SL No	REF	DESCRIPTION	QTY
1	B	SEE SECTION A-A	2
2	C	Ø9.4 √ Ø4.5	3

4									
3									
2									
1									
0	30.04.24	ORIGINAL			DSA 36 128 0 124	2	2		
REV	CN.NO.	DATE	DESCRIPTION	CHECKED	APPROVED	NEXT ASSEMBLY	ITEM	QTY	
MATERIAL		FINISH		PROJ.		PRJ.			
ALUMINIUM ALLOY 6082-T6 / HE30		YELLOW CC COATING				TOL.GEN. ± IS: 2102 TOL.AXIS. ± (MED.)		128	
DRAWN	CHECKED	APPROVED	DIMNS	SCALE	TITLE				
NANDHU			mm	NTS	SIDE FLANGE AXIAL FC-OAS PS				
DATE	30.04.24	DATE	DATE	DRG. NUMBER		SIZE	ISSUE		
				DPD 36 128 0 383		A4	1		
						NO.OF SHEETS	1		

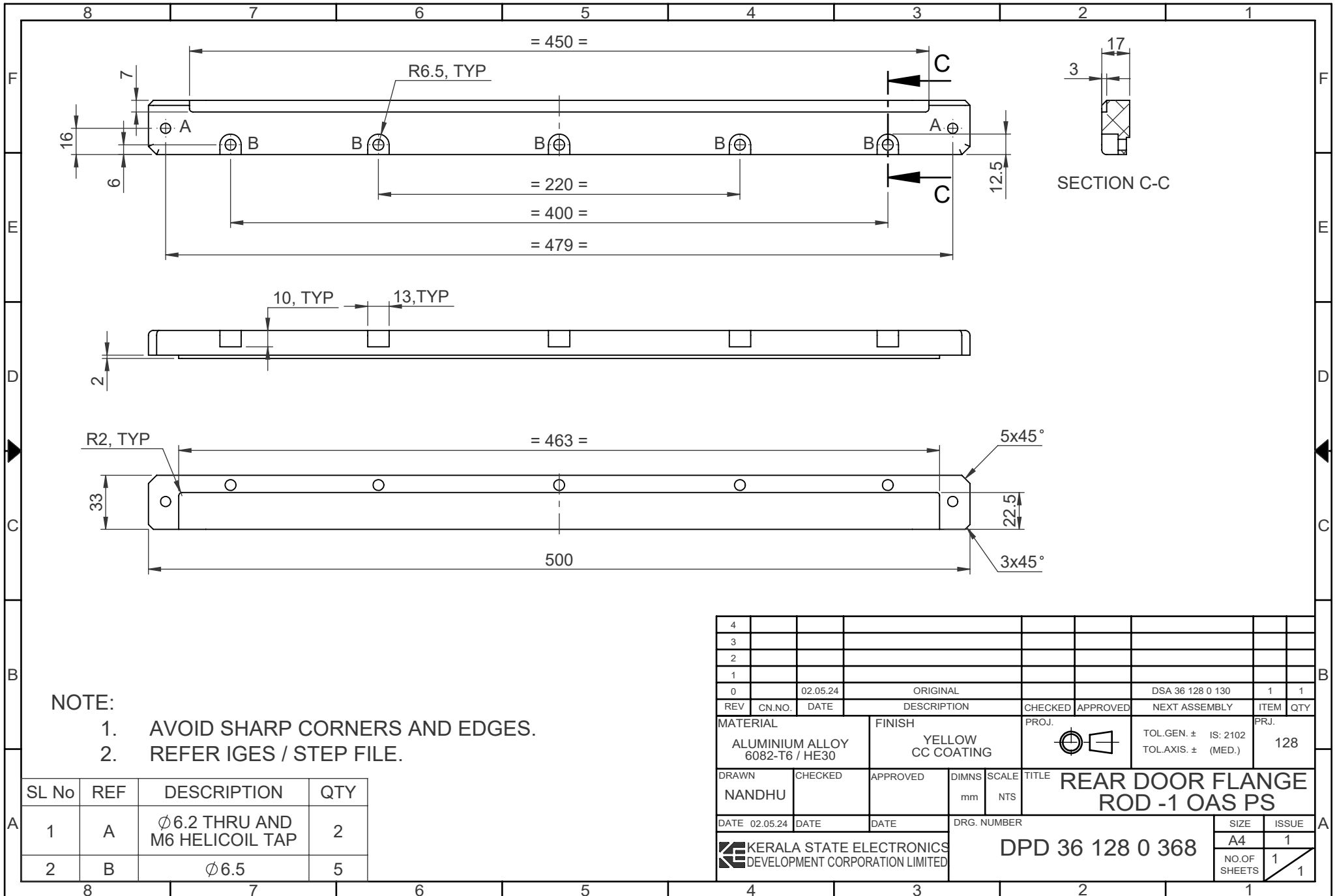
- NOTE:
1. AVOID SHARP CORNERS AND EDGES.
 2. REFER IGES / STEP FILE.



NOTE:
AVOID SHARP CORNERS AND EDGES.

SL No	REF	DESCRIPTION	QTY
1	A	$\phi 9.4 \checkmark \phi 4.5$	14
2	B	$\phi 3.5$	2
3	C	$\phi 95$	4

4									
3									
2									
1									
0		30.04.24	ORIGINAL			DSA 36 128 0 124	14	1	
REV	CN.NO.	DATE	DESCRIPTION	CHECKED	APPROVED	NEXT ASSEMBLY	ITEM	QTY	
MATERIAL		FINISH		PROJ.		TOL.GEN. \pm IS: 2102		PRJ.	
ALUMINIUM ALLOY 5052-H32		YELLOW CC COATING				TOL.AXIS. \pm (MED.)		128	
DRAWN	CHECKED	APPROVED	DIMNS	SCALE	TITLE				
NANDHU			mm	NTS	AXIAL FC TOP PLATE - OAS PS				
DATE	30.04.24	DATE	DATE	DRG. NUMBER	SIZE		ISSUE		
KERALA STATE ELECTRONICS DEVELOPMENT CORPORATION LIMITED				DPD 36 128 0 384		A4	1		
						NO.OF SHEETS	1		

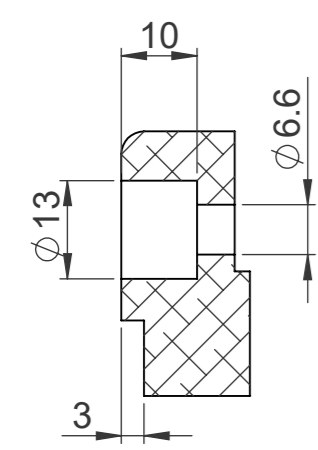
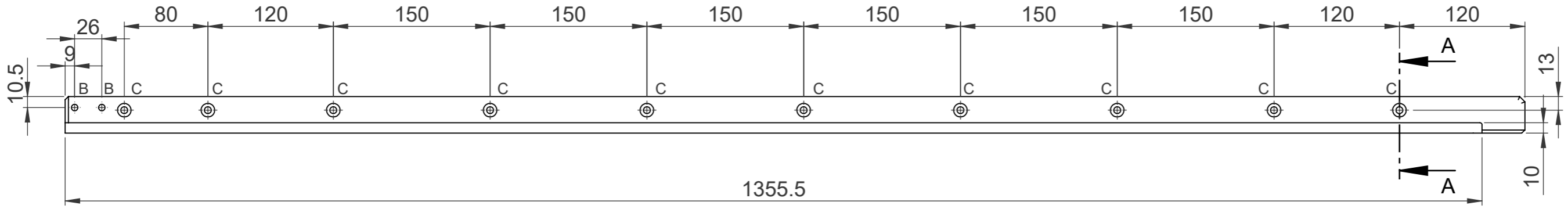
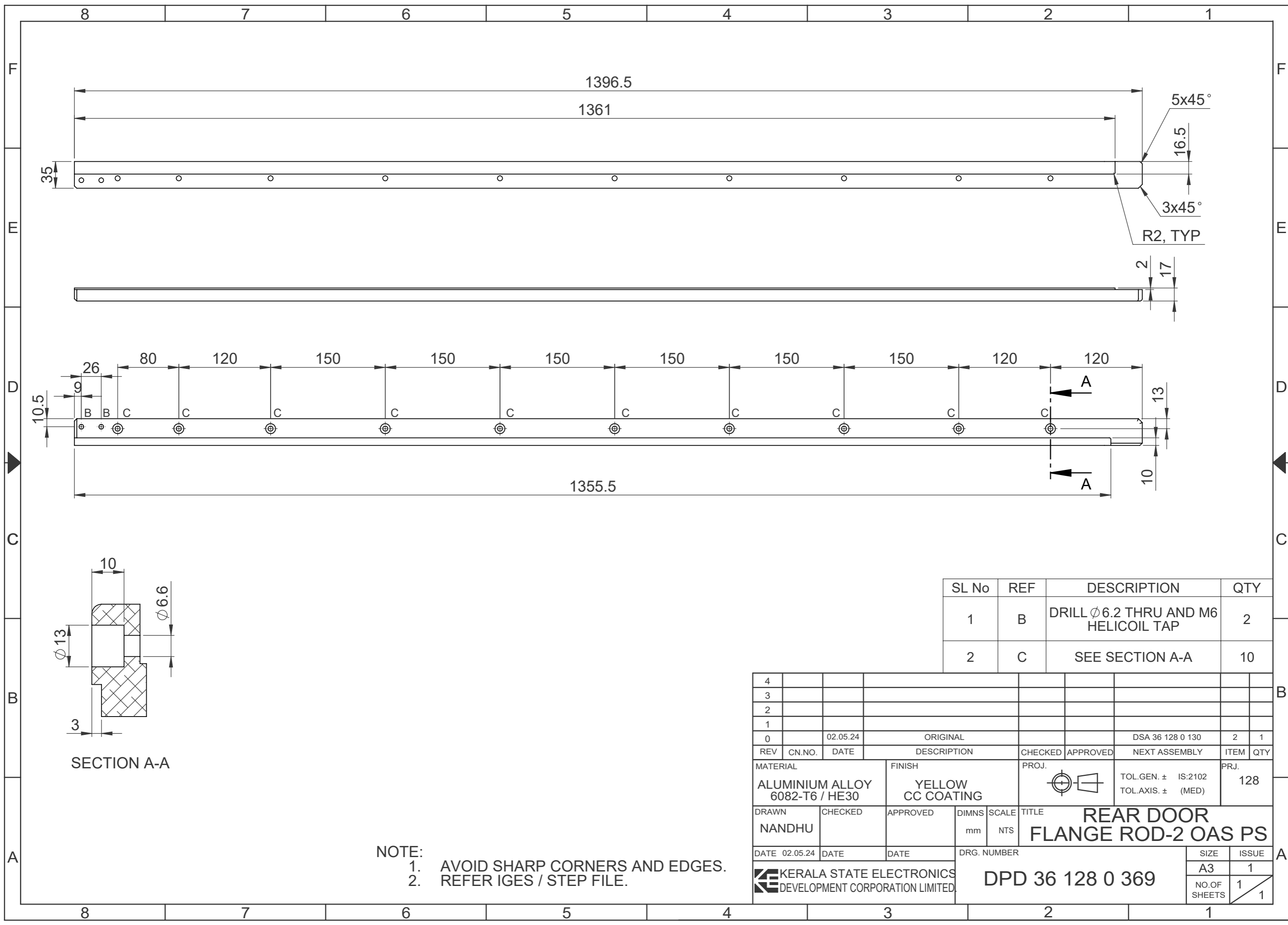


NOTE:

1. AVOID SHARP CORNERS AND EDGES.
2. REFER IGES / STEP FILE.

SL No	REF	DESCRIPTION	QTY
1	A	Ø6.2 THRU AND M6 HELICOIL TAP	2
2	B	Ø6.5	5

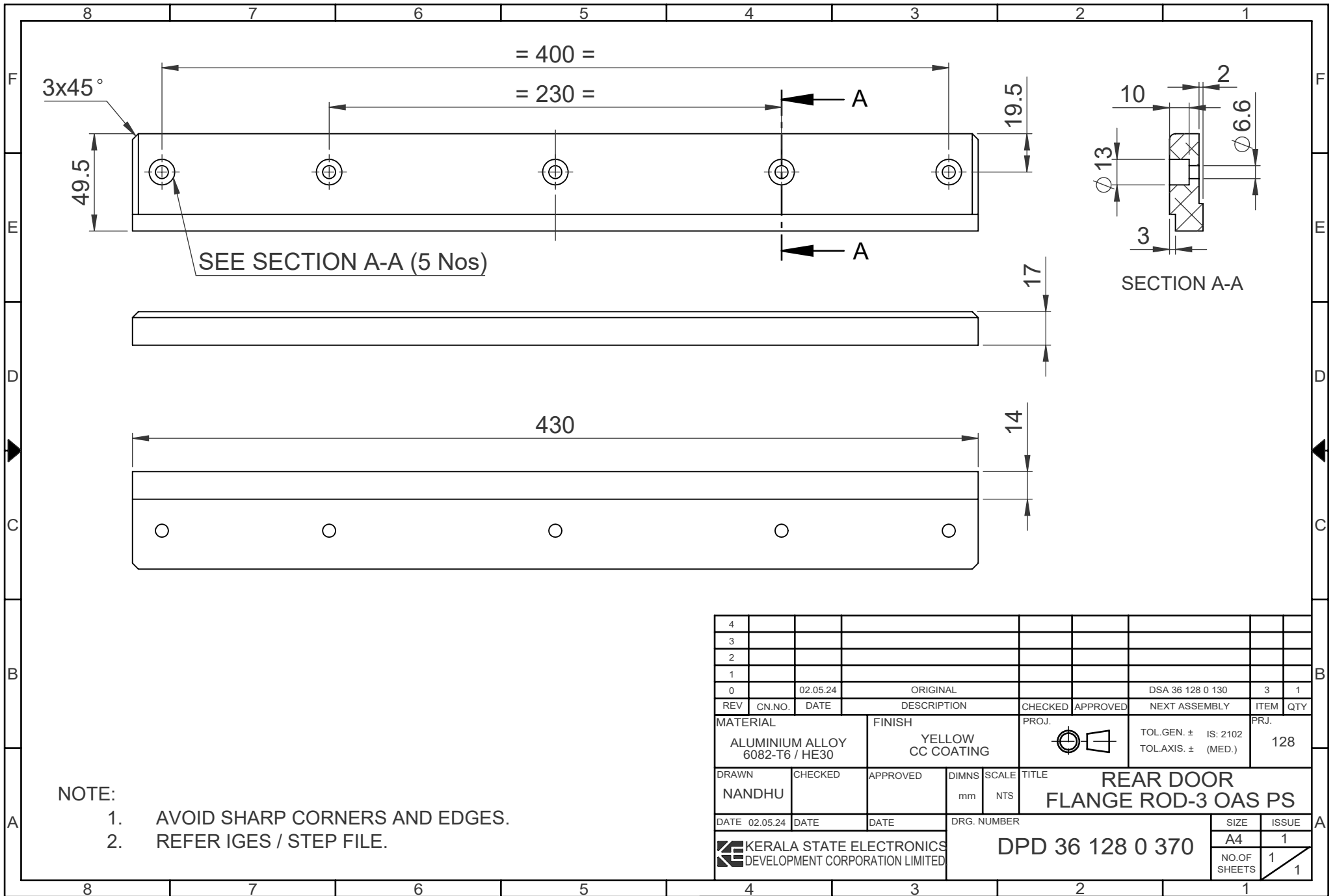
4									
3									
2									
1									
0		02.05.24		ORIGINAL				DSA 36 128 0 130	1 1
REV	CN.NO.	DATE	DESCRIPTION		CHECKED	APPROVED	NEXT ASSEMBLY	ITEM	QTY
MATERIAL		FINISH		PROJ.	TOL.GEN. ± IS: 2102		PRJ.		
ALUMINIUM ALLOY 6082-T6 / HE30		YELLOW CC COATING			TOL.AXIS ± (MED.)		128		
DRAWN	CHECKED	APPROVED	DIMNS	SCALE	TITLE				
NANDHU			mm	NTS	REAR DOOR FLANGE ROD -1 OAS PS				
DATE	02.05.24	DATE	DATE	DRG. NUMBER			SIZE	ISSUE	
KERALA STATE ELECTRONICS DEVELOPMENT CORPORATION LIMITED				DPD 36 128 0 368			A4	1	
							NO.OF SHEETS	1	
								1	



SL No	REF	DESCRIPTION	QTY
1	B	DRILL ϕ 6.2 THRU AND M6 HELICOIL TAP	2
2	C	SEE SECTION A-A	10

4									
3									
2									
1									
0		02.05.24	ORIGINAL				DSA 36 128 0 130	2	1
REV	CN.NO.	DATE	DESCRIPTION	CHECKED	APPROVED	NEXT ASSEMBLY	ITEM	QTY	
MATERIAL			FINISH	PROJ.		TOL.GEN. \pm IS:2102		PRJ.	
ALUMINIUM ALLOY 6082-T6 / HE30			YELLOW CC COATING			TOL.AXIS. \pm (MED)		128	
DRAWN	CHECKED	APPROVED	DIMNS	SCALE	TITLE				
NANDHU			mm	NTS	REAR DOOR FLANGE ROD-2 OAS PS				
DATE	02.05.24	DATE	DATE	DRG. NUMBER			SIZE	ISSUE	
				DPD 36 128 0 369			A3	1	
							NO.OF SHEETS	1	1

NOTE:
 1. AVOID SHARP CORNERS AND EDGES.
 2. REFER IGES / STEP FILE.



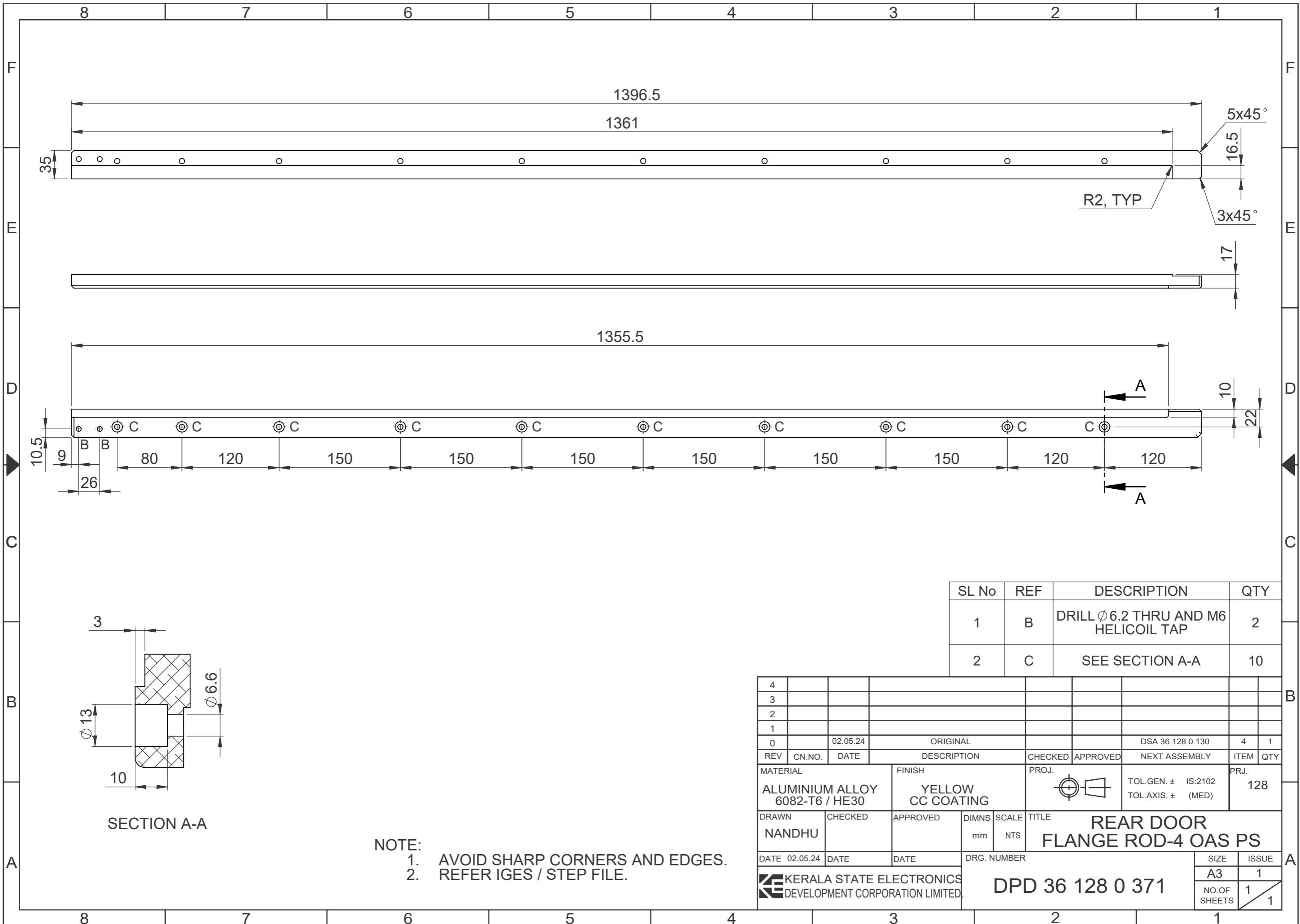
SEE SECTION A-A (5 Nos)

SECTION A-A

NOTE:

1. AVOID SHARP CORNERS AND EDGES.
2. REFER IGES / STEP FILE.

4										
3										
2										
1										
0		02.05.24		ORIGINAL				DSA 36 128 0 130	3	1
REV	CN.NO.	DATE	DESCRIPTION			CHECKED	APPROVED	NEXT ASSEMBLY	ITEM	QTY
MATERIAL			FINISH			PROJ.		PRJ.		
ALUMINIUM ALLOY 6082-T6 / HE30			YELLOW CC COATING					TOL.GEN. ± IS: 2102 TOL.AXIS. ± (MED.) 128		
DRAWN	CHECKED	APPROVED	DIMNS	SCALE	TITLE					
NANDHU			mm	NTS	REAR DOOR FLANGE ROD-3 OAS PS					
DATE	02.05.24	DATE	DATE	DRG. NUMBER				SIZE	ISSUE	
				DPD 36 128 0 370				A4	1	
							NO.OF SHEETS	1		
								1		



R2, TYP

5x45°

16.5

3x45°

17

1396.5

1361

35

1355.5

A

10

22

A

10.5

9

80

120

150

150

150

150

150

150

120

120

B

B

26

3

13

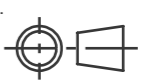

6.6

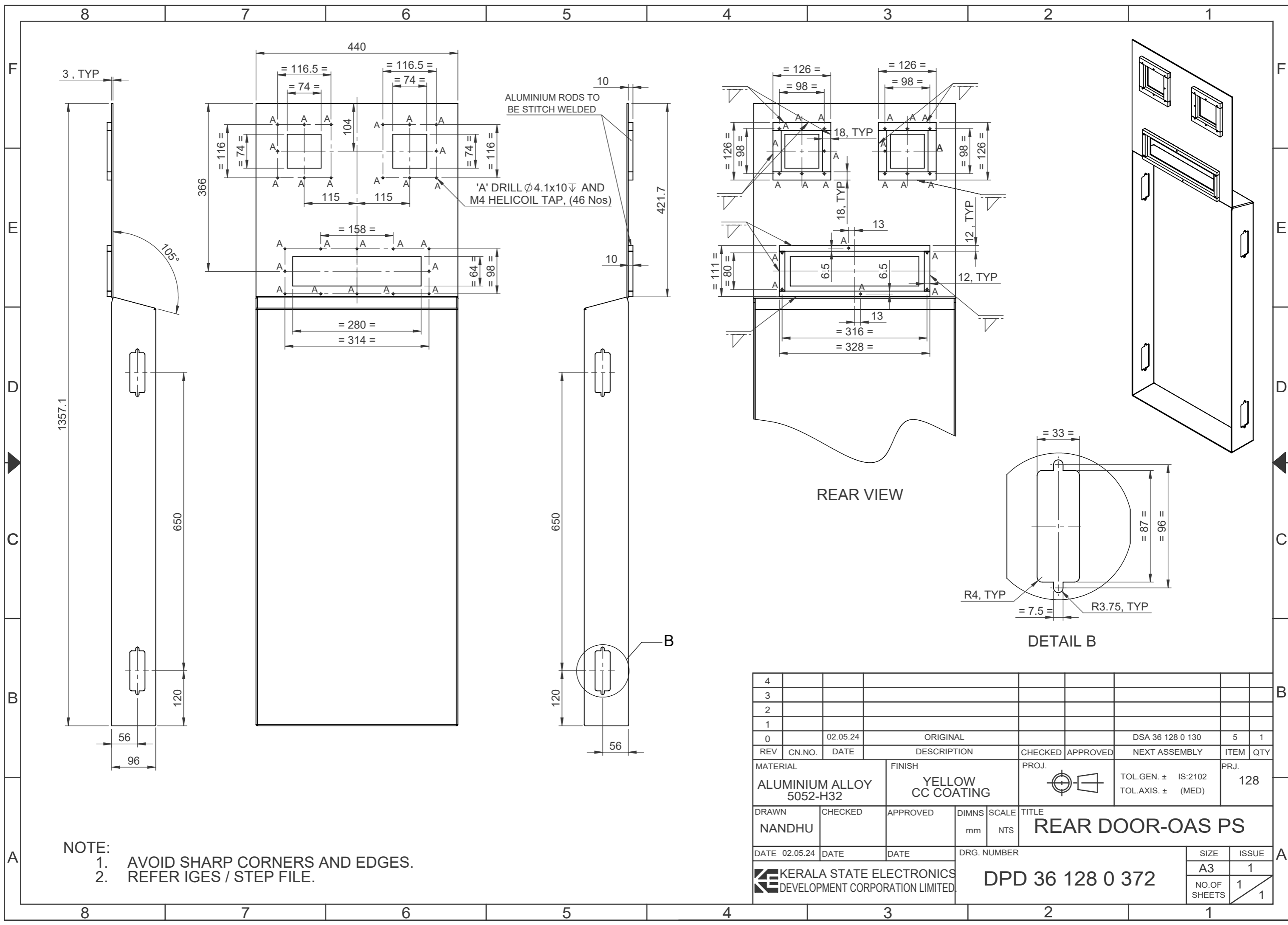
10

SECTION A-A

NOTE:
 1. AVOID SHARP CORNERS AND EDGES.
 2. REFER IGES / STEP FILE.

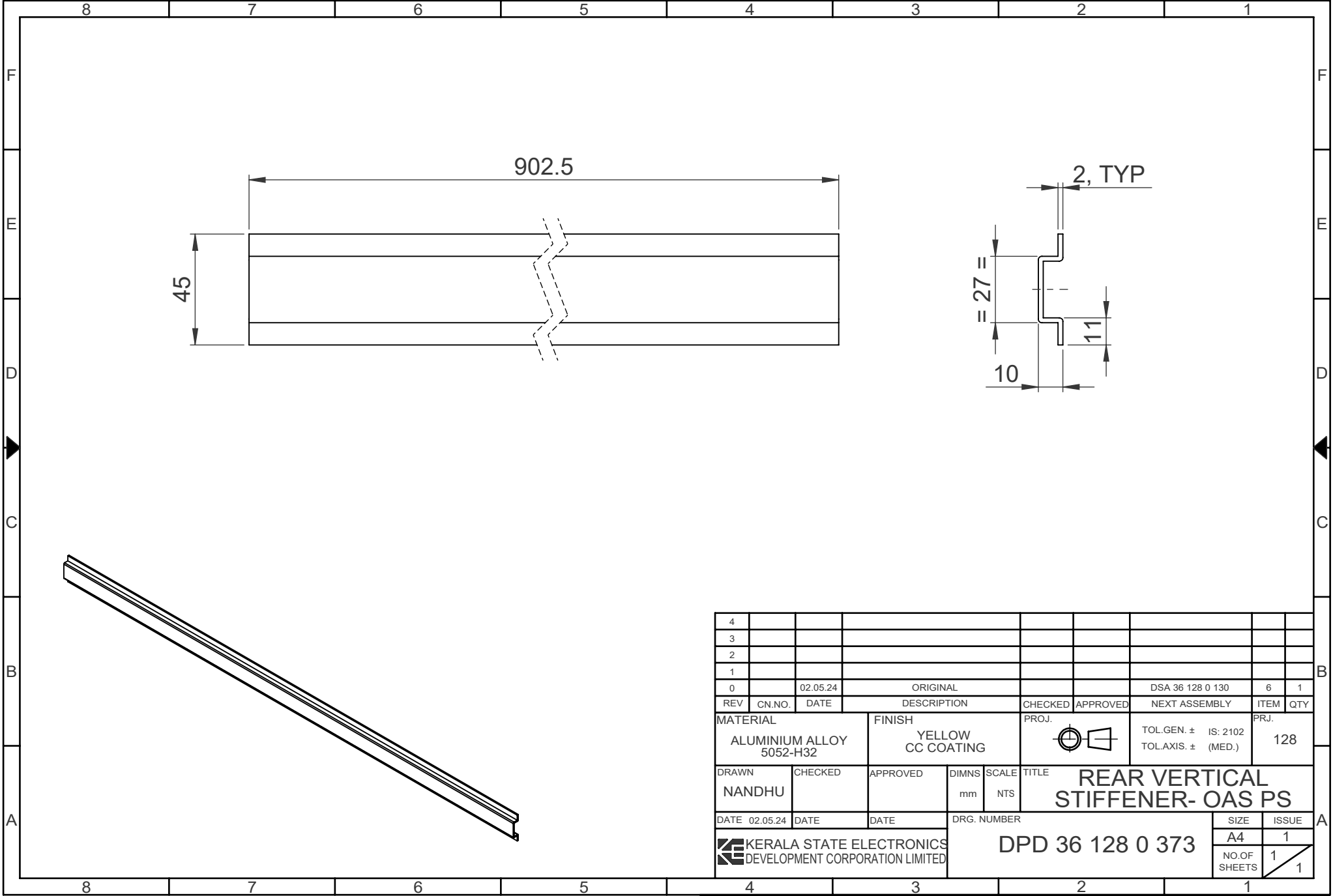
SL No	REF	DESCRIPTION	QTY
1	B	DRILL ϕ 6.2 THRU AND M6 HELICOIL TAP	2
2	C	SEE SECTION A-A	10

4									
3									
2									
1									
0		02.05.24	ORIGINAL			DSA 36 128 0 130	4	1	
REV	CN.NO.	DATE	DESCRIPTION	CHECKED	APPROVED	NEXT ASSEMBLY	ITEM	QTY	
MATERIAL			FINISH	PROJ.		TOL.GEN. \pm	IS:2102	PRJ.	
ALUMINIUM ALLOY 6082-T6 / HE30			YELLOW CC COATING			TOL.AXIS. \pm	(MED)	128	
DRAWN	CHECKED	APPROVED	DIMNS	SCALE	TITLE				
NANDHU			mm	NTS	REAR DOOR FLANGE ROD-4 OAS PS				
DATE	02.05.24	DATE	DATE	DRG. NUMBER		SIZE	ISSUE		
				DPD 36 128 0 371		A3	1		
						NO.OF SHEETS	1		
							1		



NOTE:
 1. AVOID SHARP CORNERS AND EDGES.
 2. REFER IGES / STEP FILE.

4										
3										
2										
1										
0	02.05.24		ORIGINAL					DSA 36 128 0 130	5	1
REV	CN.NO.	DATE	DESCRIPTION	CHECKED	APPROVED	NEXT ASSEMBLY	ITEM	QTY		
MATERIAL			FINISH	PROJ.		TOL.GEN. ±	IS:2102	PRJ.		
ALUMINIUM ALLOY 5052-H32			YELLOW CC COATING			TOL.AXIS. ±	(MED)	128		
DRAWN	CHECKED	APPROVED	DIMNS	SCALE	TITLE					
NANDHU			mm	NTS	REAR DOOR-OAS PS					
DATE	02.05.24	DATE	DATE	DRG. NUMBER		SIZE	ISSUE			
				DPD 36 128 0 372		A3	1			
						NO.OF SHEETS	1			
							1			

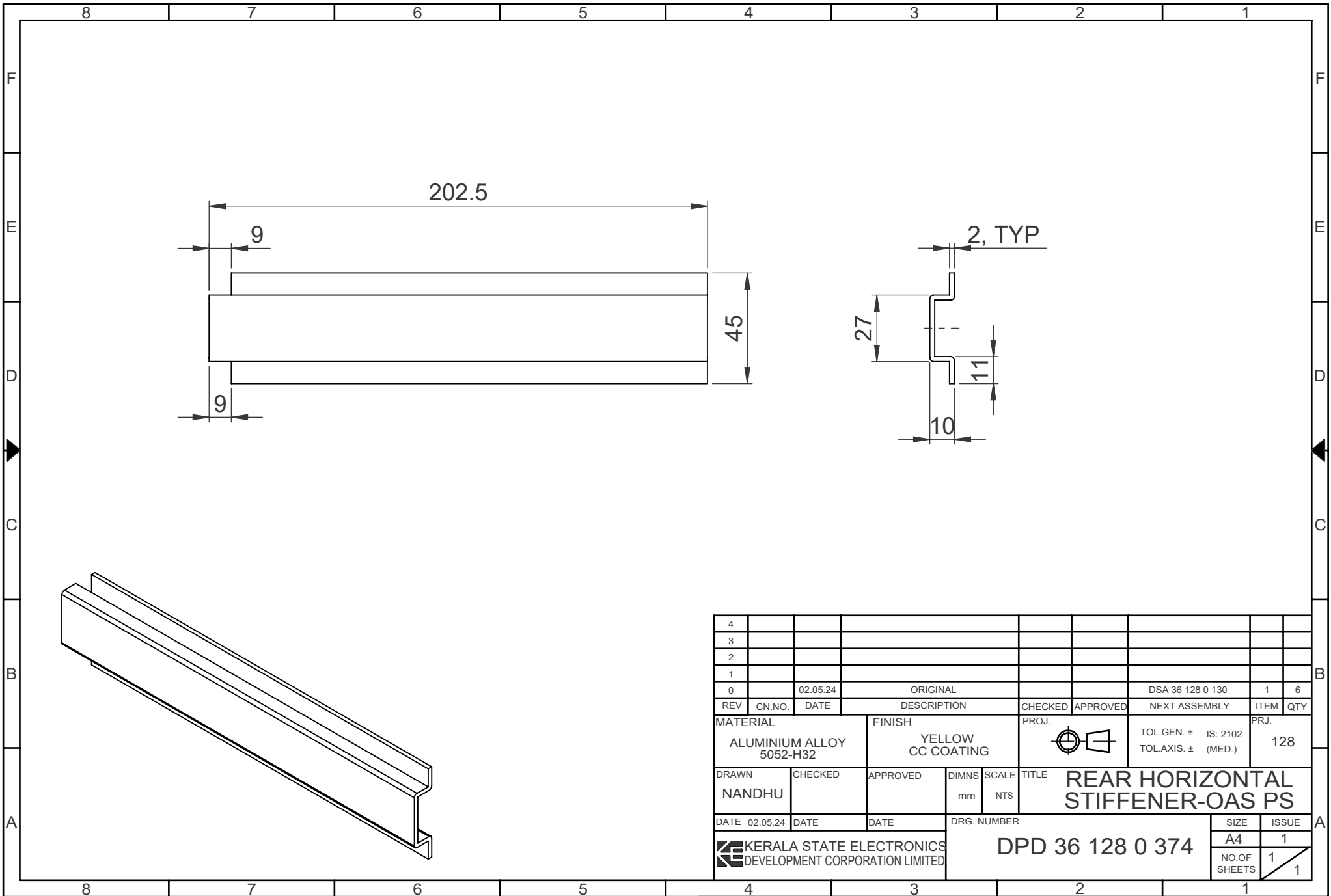


4											
3											
2											
1											
0		02.05.24		ORIGINAL				DSA 36 128 0 130	6	1	
REV	CN.NO.	DATE	DESCRIPTION			CHECKED	APPROVED	NEXT ASSEMBLY	ITEM	QTY	
MATERIAL			FINISH			PROJ.		PRJ.			
ALUMINIUM ALLOY 5052-H32			YELLOW CC COATING					TOL.GEN. ± IS: 2102 TOL.AXIS. ± (MED.)		128	
DRAWN		CHECKED		APPROVED		DIMNS		SCALE		TITLE	
NANDHU						mm		NTS		REAR VERTICAL STIFFENER- OAS PS	
DATE 02.05.24		DATE		DATE		DRG. NUMBER				SIZE	ISSUE
						DPD 36 128 0 373				A4	1
										NO.OF SHEETS	1
											1

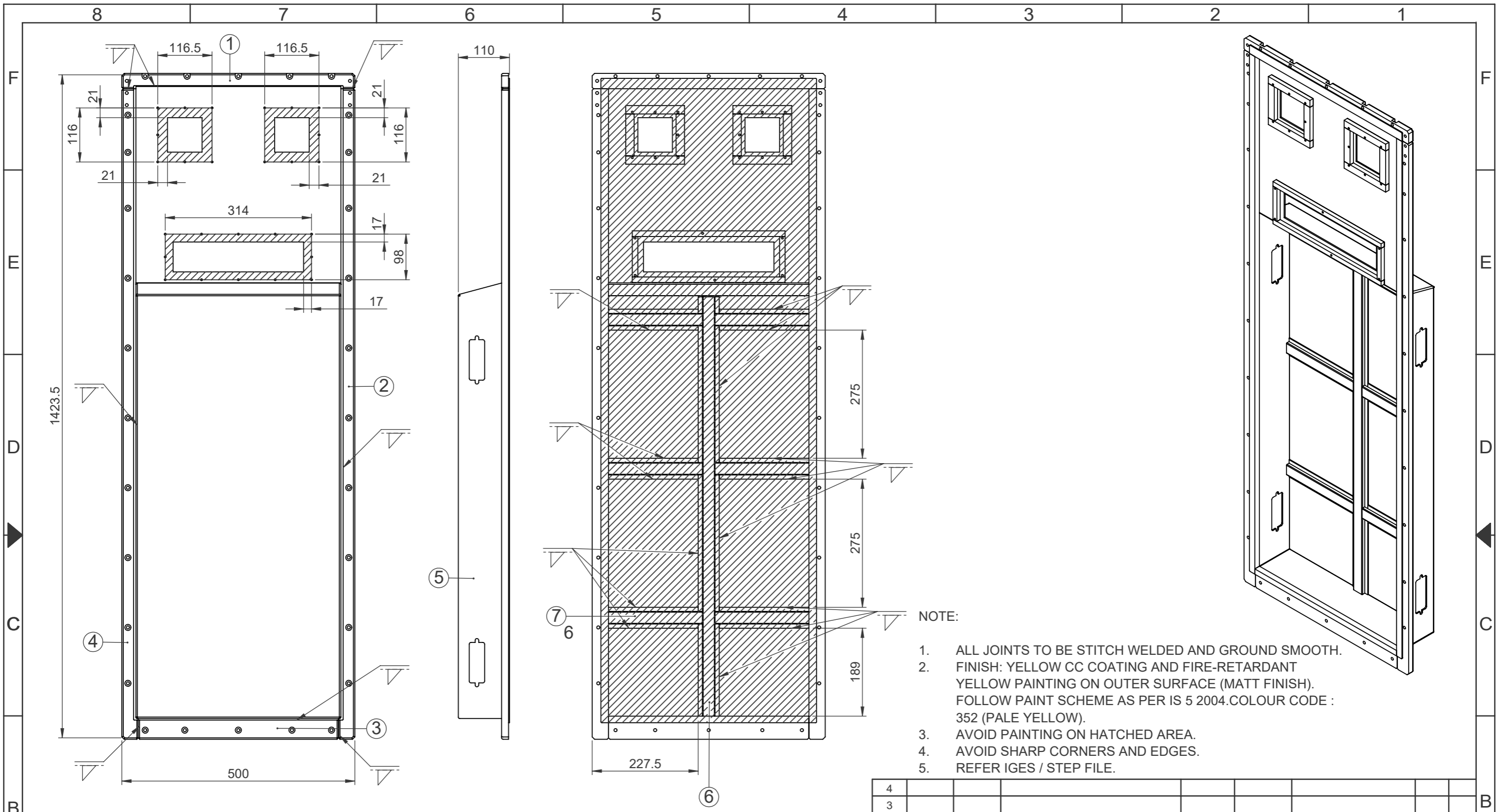
KERALA STATE ELECTRONICS
DEVELOPMENT CORPORATION LIMITED

DPD 36 128 0 373

SIZE	ISSUE
A4	1
NO.OF SHEETS	1



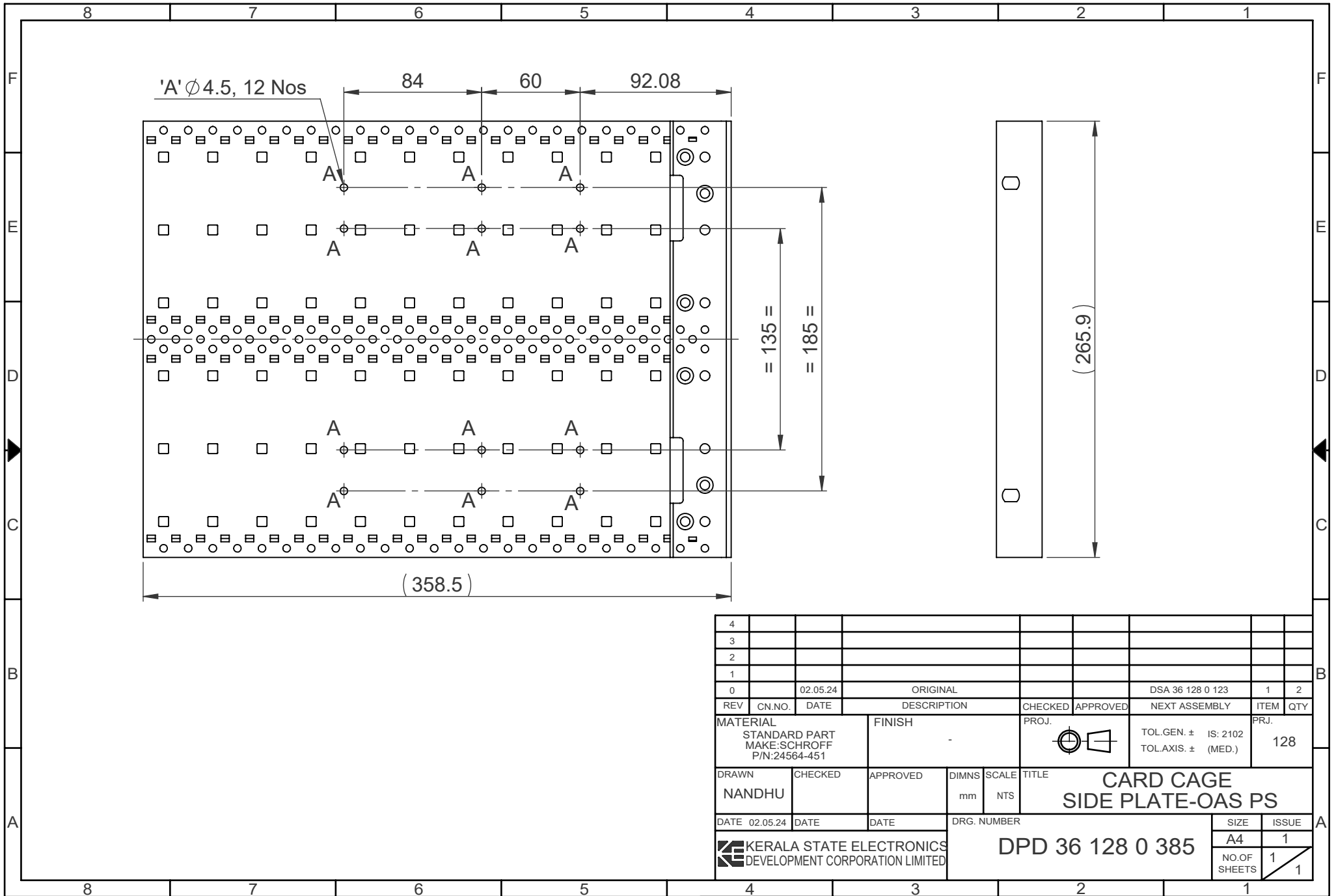
4											
3											
2											
1											
0		02.05.24		ORIGINAL				DSA 36 128 0 130	1	6	
REV	CN.NO.	DATE	DESCRIPTION			CHECKED	APPROVED	NEXT ASSEMBLY	ITEM	QTY	
MATERIAL			FINISH			PROJ.		TOL.GEN. ± IS: 2102		PRJ.	
ALUMINIUM ALLOY 5052-H32			YELLOW CC COATING					TOL.AXIS. ± (MED.)		128	
DRAWN		CHECKED	APPROVED	DIMNS	SCALE	TITLE					
NANDHU				mm	NTS	REAR HORIZONTAL STIFFENER-OAS PS					
DATE 02.05.24		DATE	DATE	DRG. NUMBER			SIZE	ISSUE			
							DPD 36 128 0 374			A4	1
										NO.OF SHEETS	1
									1		



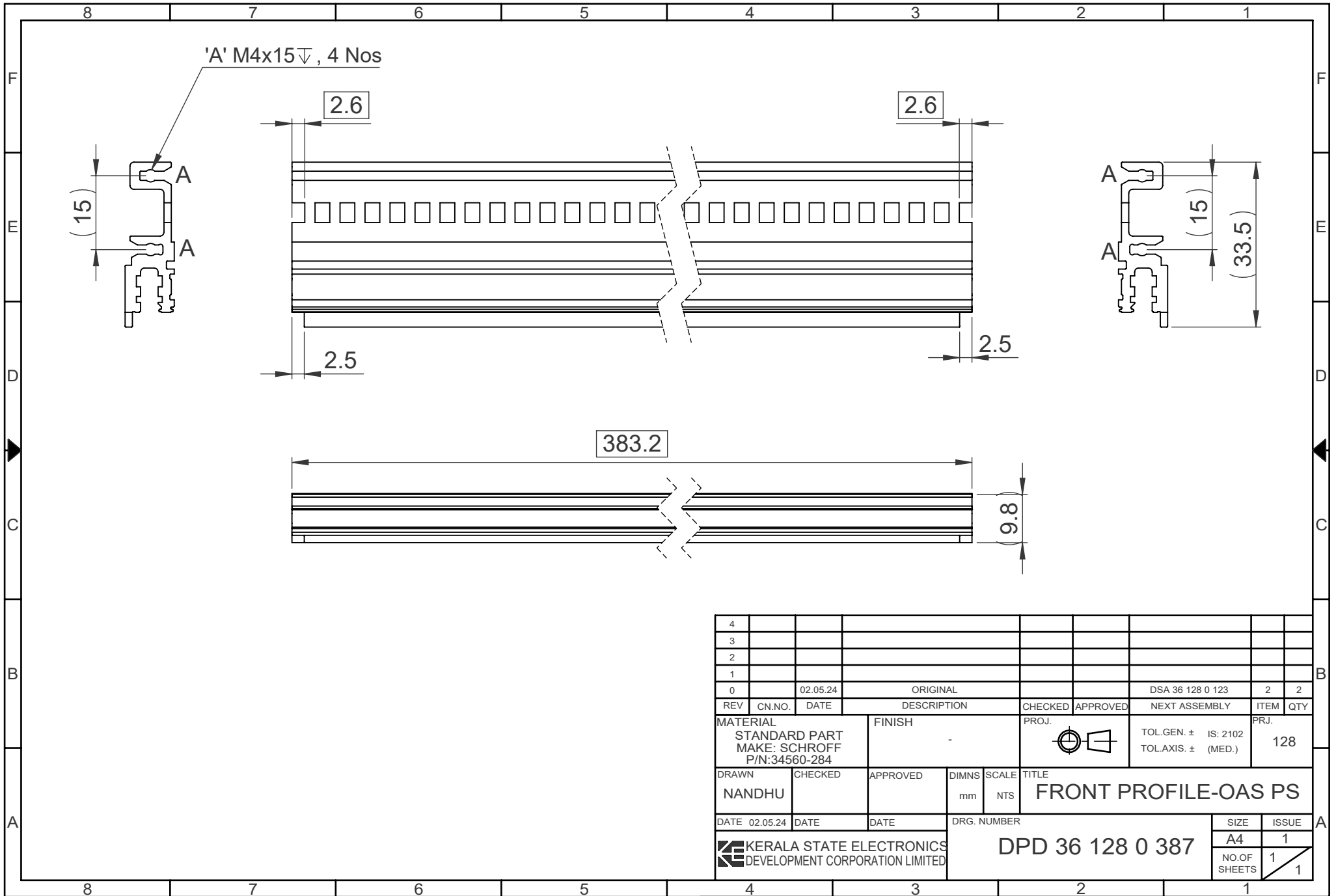
- NOTE:
1. ALL JOINTS TO BE STITCH WELDED AND GROUND SMOOTH.
 2. FINISH: YELLOW CC COATING AND FIRE-RETARDANT YELLOW PAINTING ON OUTER SURFACE (MATT FINISH). FOLLOW PAINT SCHEME AS PER IS 5 2004.COLOUR CODE : 352 (PALE YELLOW).
 3. AVOID PAINTING ON HATCHED AREA.
 4. AVOID SHARP CORNERS AND EDGES.
 5. REFER IGES / STEP FILE.

SL No	DESCRIPTION	PART NUMBER	QTY
1	REAR DOOR FLANGE ROD -1 OAS PS	DPD 36 128 0 368	1
2	REAR DOOR FLANGE ROD -2 OAS PS	DPD 36 128 0 369	1
3	REAR DOOR FLANGE ROD -3 OAS PS	DPD 36 128 0 370	1
4	REAR DOOR FLANGE ROD -4 OAS PS	DPD 36 128 0 371	1
5	REAR DOOR – OAS PS	DPD 36 128 0 372	1
6	REAR VERTICAL STIFFENER – OAS PS	DPD 36 128 0 373	1
7	REAR HORIZONTAL STIFFENER - OAS PS	DPD 36 128 0 374	6

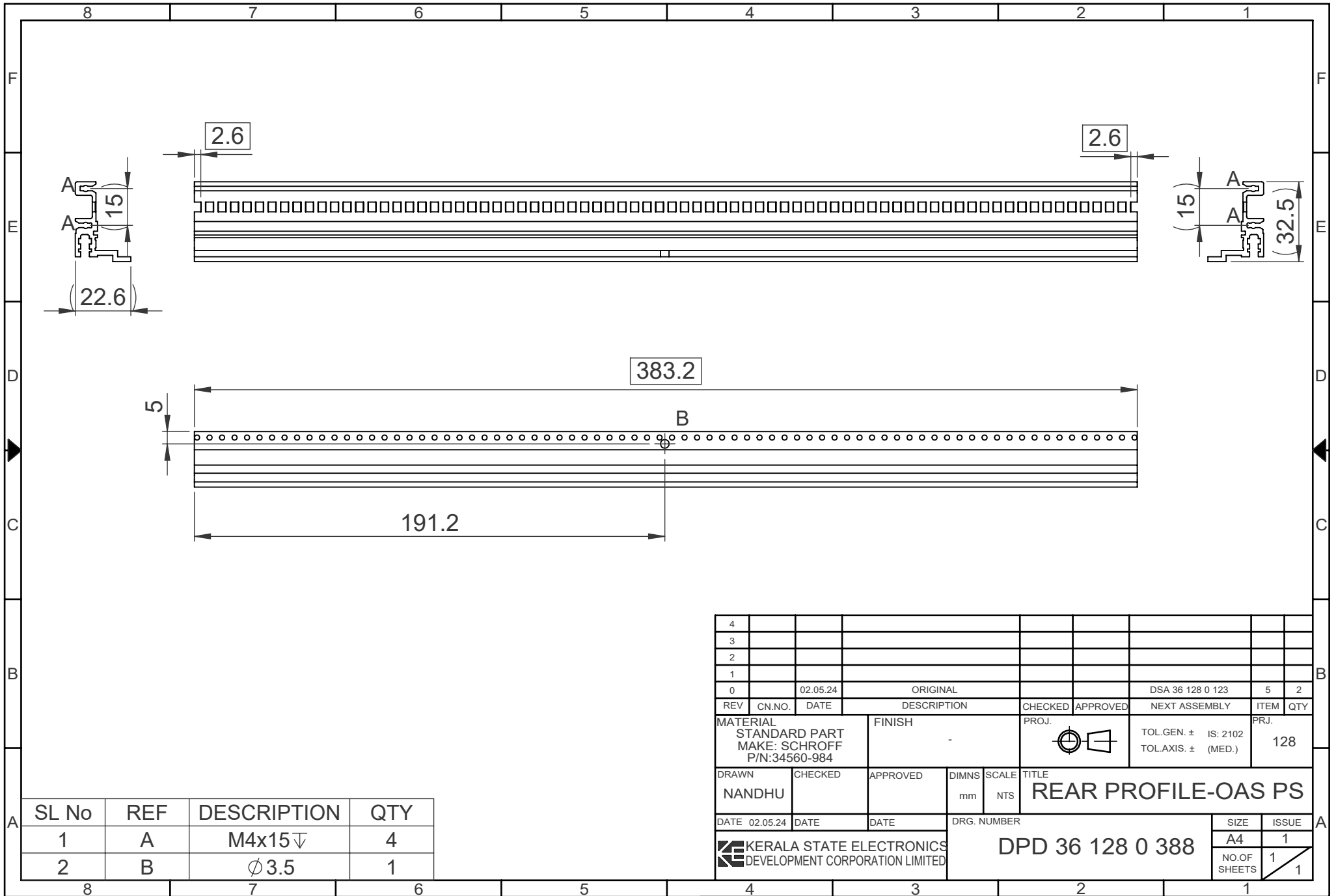
REV	CN.NO.	DATE	DESCRIPTION	CHECKED	APPROVED	NEXT ASSEMBLY	ITEM	QTY
0		02.05.24	ORIGINAL			DSA 36 128 0 126	1	1
MATERIAL			FINISH	PROJ.	TOL.GEN. ± IS:2102		PRJ.	
SEE TABLE			SEE NOTE		TOL.AXIS. ± (MED)		128	
DRAWN	CHECKED	APPROVED	DIMNS	SCALE	TITLE			
NANDHU			mm	NTS	REAR DOOR WELDED ASSY-OAS PS			
DATE	DATE	DATE	DRG. NUMBER		SIZE	ISSUE		
02.05.24			DSA 36 128 0 130		A3	1		
KERALA STATE ELECTRONICS DEVELOPMENT CORPORATION LIMITED.					NO.OF SHEETS	1		
						1		



4										
3										
2										
1										
0		02.05.24		ORIGINAL				DSA 36 128 0 123	1	2
REV	CN.NO.	DATE	DESCRIPTION			CHECKED	APPROVED	NEXT ASSEMBLY	ITEM	QTY
MATERIAL			FINISH			PROJ.		PRJ.		
STANDARD PART								TOL.GEN. \pm IS: 2102		
MAKE: SCHROFF								TOL.AXIS. \pm (MED.)		
P/N: 24564-451								128		
DRAWN		CHECKED		APPROVED		DIMNS		SCALE		TITLE
NANDHU						mm		NTS		CARD CAGE
										SIDE PLATE-OAS PS
DATE 02.05.24		DATE		DATE		DRG. NUMBER			SIZE	
						DPD 36 128 0 385			A4	
									1	
									NO.OF SHEETS	
									1	
									1	

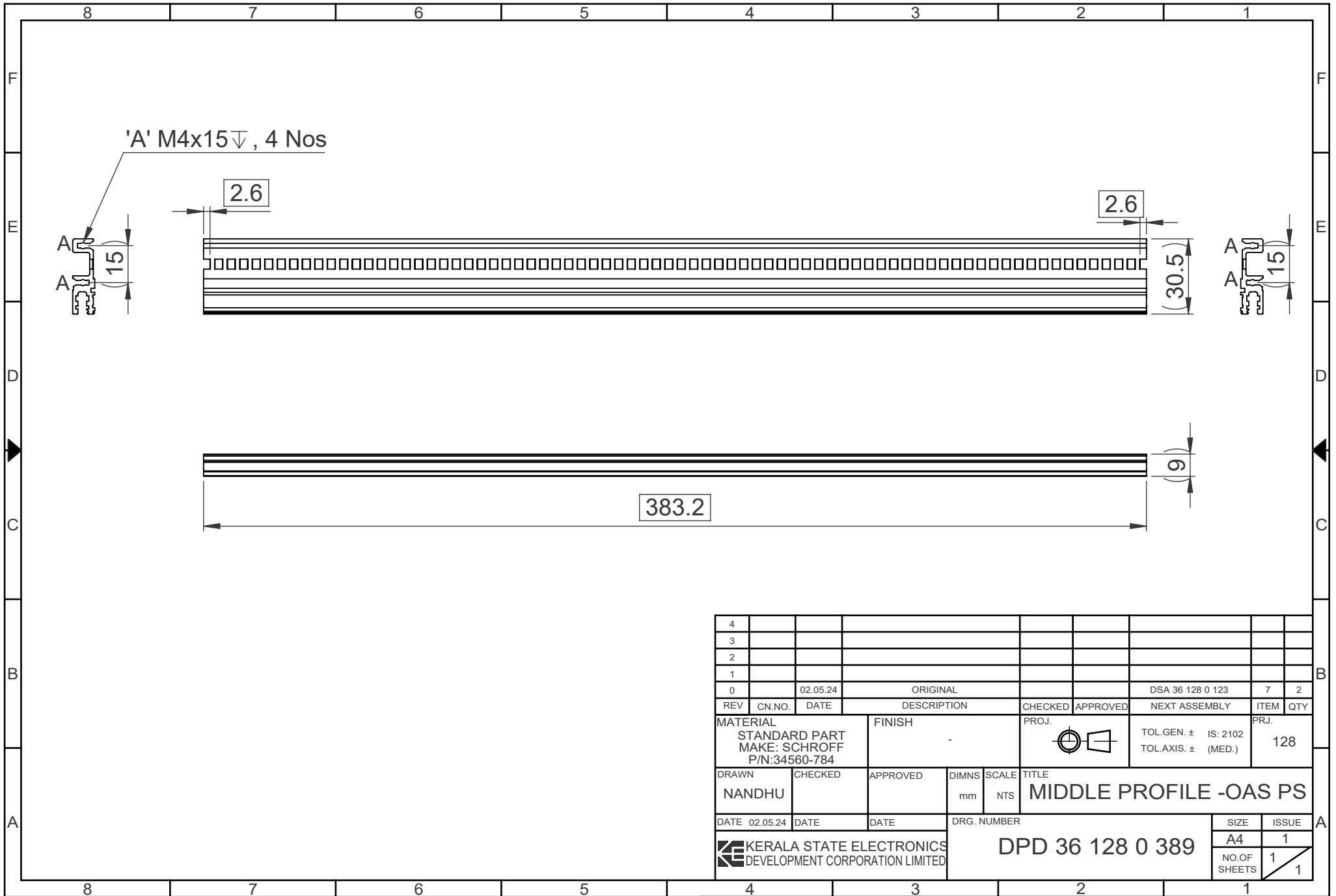


4									
3									
2									
1									
0		02.05.24		ORIGINAL				DSA 36 128 0 123	2 2
REV	CN.NO.	DATE	DESCRIPTION		CHECKED	APPROVED	NEXT ASSEMBLY	ITEM	QTY
MATERIAL			FINISH		PROJ.		TOL.GEN. ± IS: 2102		PRJ.
STANDARD PART							TOL.AXIS. ± (MED.)		128
MAKE: SCHROFF									
P/N:34560-284									
DRAWN	CHECKED	APPROVED	DIMNS	SCALE	TITLE				
NANDHU			mm	NTS	FRONT PROFILE-OAS PS				
DATE 02.05.24	DATE	DATE	DRG. NUMBER		SIZE		ISSUE		
			DPD 36 128 0 387		A4		1		
KERALA STATE ELECTRONICS DEVELOPMENT CORPORATION LIMITED							NO.OF SHEETS		1
							1		



4										
3										
2										
1										
0		02.05.24		ORIGINAL				DSA 36 128 0 123	5 2	
REV	CN.NO.	DATE	DESCRIPTION			CHECKED	APPROVED	NEXT ASSEMBLY	ITEM	QTY
MATERIAL STANDARD PART MAKE: SCHROFF P/N:34560-984			FINISH			PROJ.		TOL.GEN. ± IS: 2102 TOL.AXIS ± (MED.)	PR.J. 128	
DRAWN NANDHU		CHECKED	APPROVED		DIMNS mm	SCALE NTS	TITLE REAR PROFILE-OAS PS			
DATE 02.05.24	DATE	DATE	DRG. NUMBER			SIZE	ISSUE			
Kerala State Electronics Development Corporation Limited						DPD 36 128 0 388			A4	1
									NO.OF SHEETS	1

SL No	REF	DESCRIPTION	QTY
1	A	M4x15▽	4
2	B	∅3.5	1



'A' M4x15 ∇ , 4 Nos

2.6

2.6

(30.5)

15

15

383.2

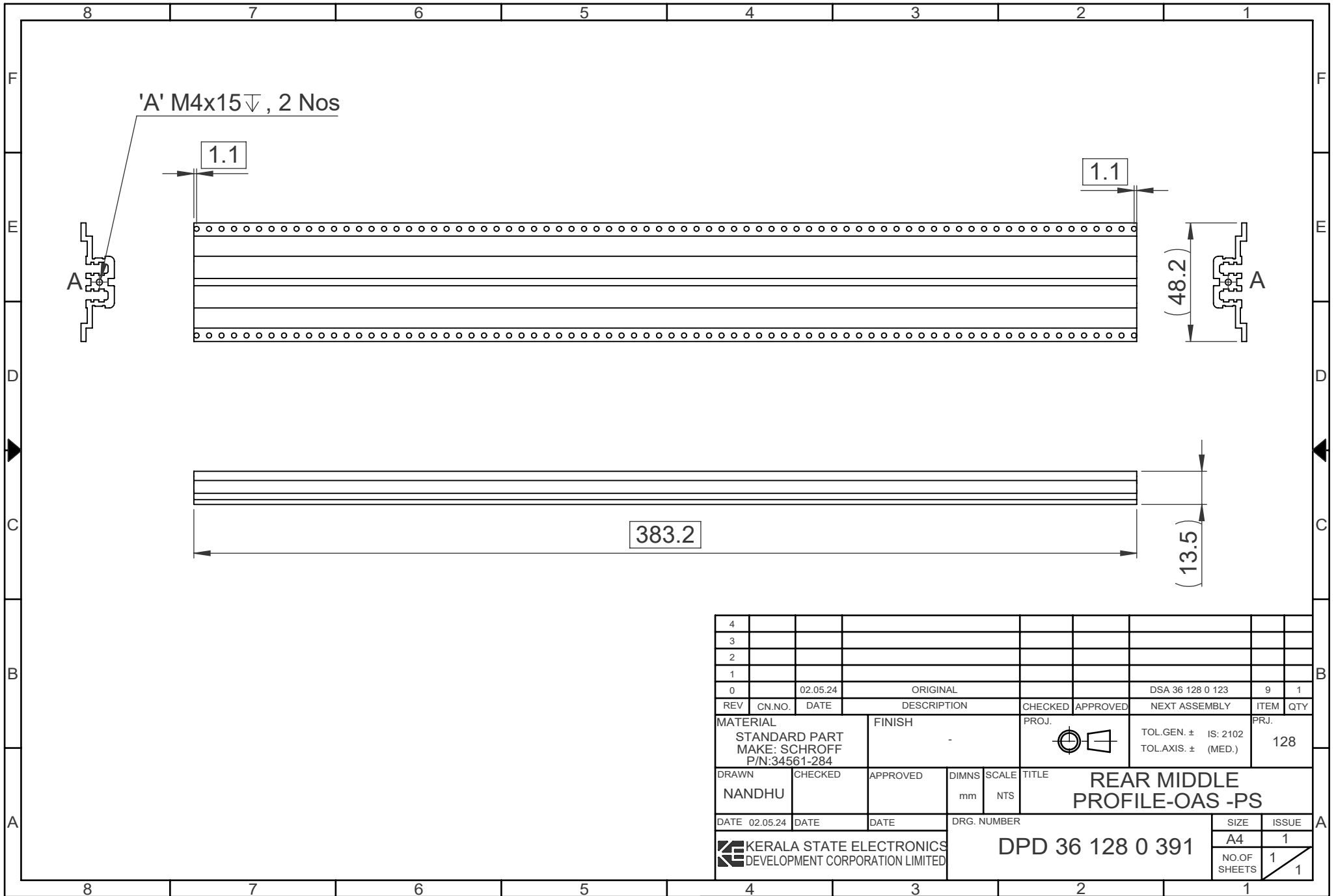
(9)

4											
3											
2											
1											
0		02.05.24		ORIGINAL				DSA 36 128 0 123	7	2	
REV	CN.NO.	DATE	DESCRIPTION			CHECKED	APPROVED	NEXT ASSEMBLY	ITEM	QTY	
MATERIAL			FINISH			PROJ.		PRJ.			
STANDARD PART			-					TOL.GEN. \pm IS: 2102			
MAKE: SCHROFF								TOL.AXIS. \pm (MED.)			
P/N:34560-784								128			
DRAWN		CHECKED		APPROVED		DIMNS		SCALE		TITLE	
NANDHU						mm		NTS		MIDDLE PROFILE -OAS PS	
DATE 02.05.24		DATE		DATE		DRG. NUMBER				SIZE	ISSUE
						DPD 36 128 0 389				A4	1
										NO.OF SHEETS	1
											1

KERALA STATE ELECTRONICS DEVELOPMENT CORPORATION LIMITED

DPD 36 128 0 389

SIZE	ISSUE
A4	1
NO.OF SHEETS	1



'A' M4x15 ∇ , 2 Nos

1.1

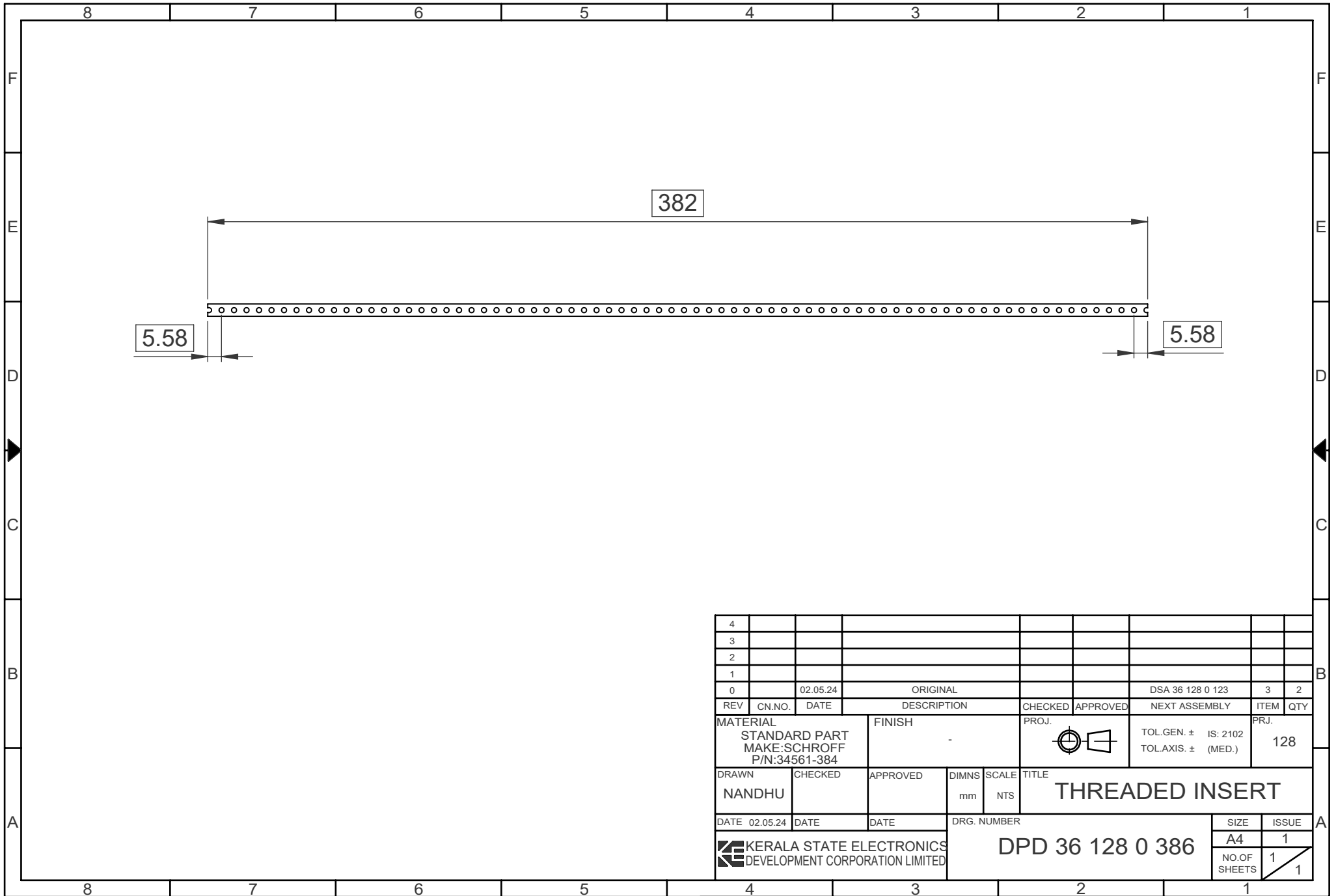
1.1

48.2

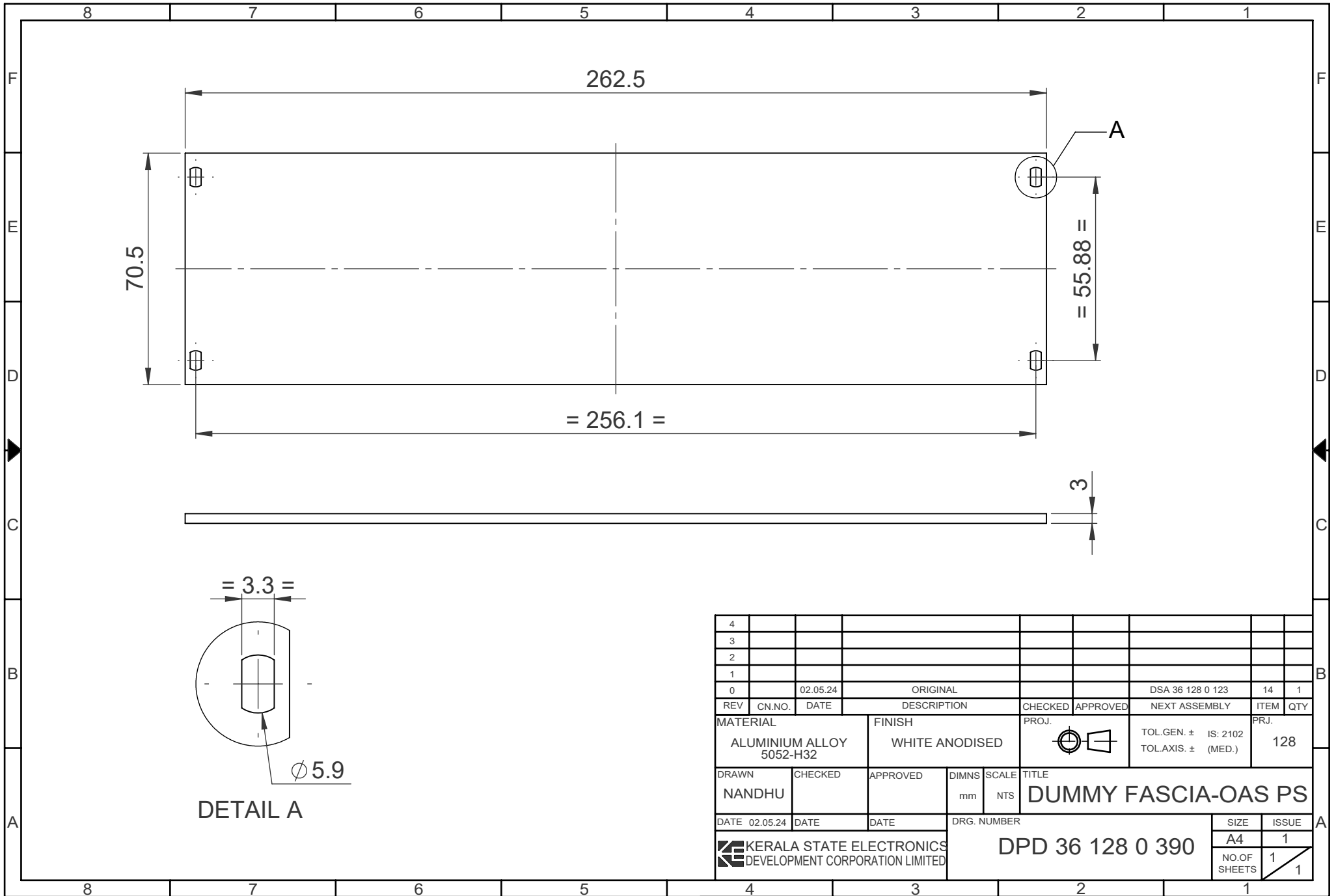
383.2

13.5

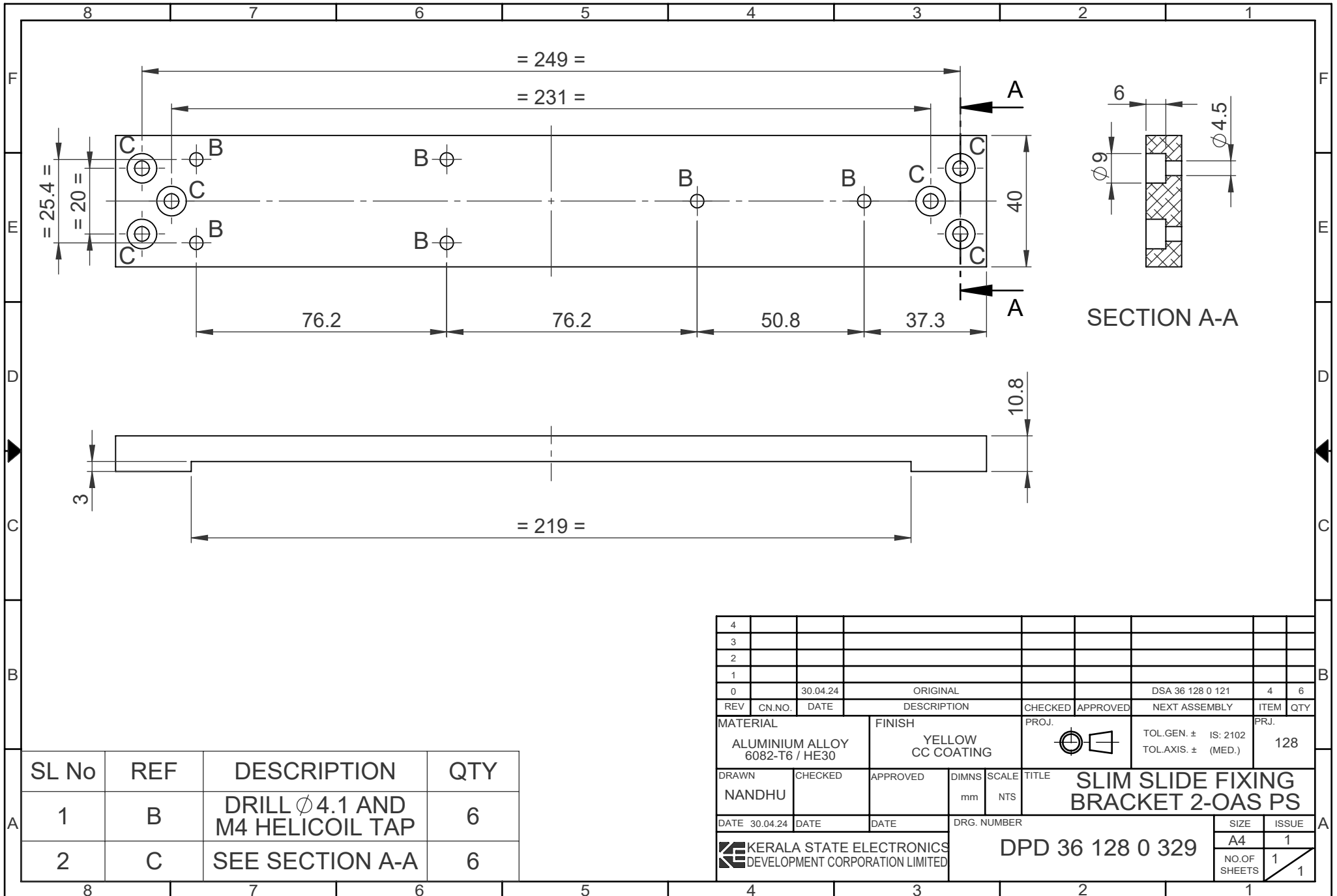
4										
3										
2										
1										
0		02.05.24		ORIGINAL				DSA 36 128 0 123	9	1
REV	CN.NO.	DATE	DESCRIPTION			CHECKED	APPROVED	NEXT ASSEMBLY	ITEM	QTY
MATERIAL			FINISH			PROJ.		PRJ.		
STANDARD PART MAKE: SCHROFF P/N:34561-284								TOL.GEN. \pm IS: 2102 TOL.AXIS. \pm (MED.)		
DRAWN		CHECKED		APPROVED		DIMNS		SCALE		TITLE
NANDHU						mm		NTS		REAR MIDDLE PROFILE-OAS -PS
DATE 02.05.24		DATE		DATE		DRG. NUMBER			SIZE	
						DPD 36 128 0 391			A4	
									1	
									NO.OF SHEETS	
									1	
									1	



4										
3										
2										
1										
0		02.05.24		ORIGINAL				DSA 36 128 0 123	3	2
REV	CN.NO.	DATE	DESCRIPTION			CHECKED	APPROVED	NEXT ASSEMBLY	ITEM	QTY
MATERIAL STANDARD PART MAKE: SCHROFF P/N: 34561-384			FINISH -			PROJ. 		TOL.GEN. ± IS: 2102 TOL.AXIS. ± (MED.)	PRJ. 128	
DRAWN NANDHU	CHECKED	APPROVED	DIMNS mm	SCALE NTS	TITLE THREADED INSERT					
DATE 02.05.24	DATE	DATE	DRG. NUMBER DPD 36 128 0 386					SIZE A4	ISSUE 1	
KERALA STATE ELECTRONICS DEVELOPMENT CORPORATION LIMITED							NO.OF SHEETS 1		1	



4										
3										
2										
1										
0		02.05.24		ORIGINAL				DSA 36 128 0 123	14	1
REV	CN.NO.	DATE	DESCRIPTION			CHECKED	APPROVED	NEXT ASSEMBLY	ITEM	QTY
MATERIAL			FINISH			PROJ.		PRJ.		
ALUMINIUM ALLOY 5052-H32			WHITE ANODISED					TOL.GEN. ± IS: 2102 TOL.AXIS ± (MED.) 128		
DRAWN	CHECKED	APPROVED	DIMNS	SCALE	TITLE					
NANDHU			mm	NTS	DUMMY FASCIA-OAS PS					
DATE 02.05.24	DATE	DATE	DRG. NUMBER			SIZE		ISSUE		
KERALA STATE ELECTRONICS DEVELOPMENT CORPORATION LIMITED					DPD 36 128 0 390			A4		1
					NO.OF SHEETS		1		1	



SL No	REF	DESCRIPTION	QTY
1	B	DRILL ϕ 4.1 AND M4 HELICOIL TAP	6
2	C	SEE SECTION A-A	6

4									
3									
2									
1									
0		30.04.24	ORIGINAL			DSA 36 128 0 121	4	6	
REV	CN.NO.	DATE	DESCRIPTION	CHECKED	APPROVED	NEXT ASSEMBLY	ITEM	QTY	
MATERIAL			FINISH		PROJ.	TOL.GEN. \pm IS: 2102		PRJ.	
ALUMINIUM ALLOY 6082-T6 / HE30			YELLOW CC COATING			TOL.AXIS. \pm (MED.)		128	
DRAWN	CHECKED	APPROVED	DIMNS	SCALE	TITLE				
NANDHU			mm	NTS	SLIM SLIDE FIXING BRACKET 2-OAS PS				
DATE	30.04.24	DATE	DATE	DRG. NUMBER		SIZE		ISSUE	
KERALA STATE ELECTRONICS DEVELOPMENT CORPORATION LIMITED						DPD 36 128 0 329		A4	1
								NO.OF SHEETS	1
									1